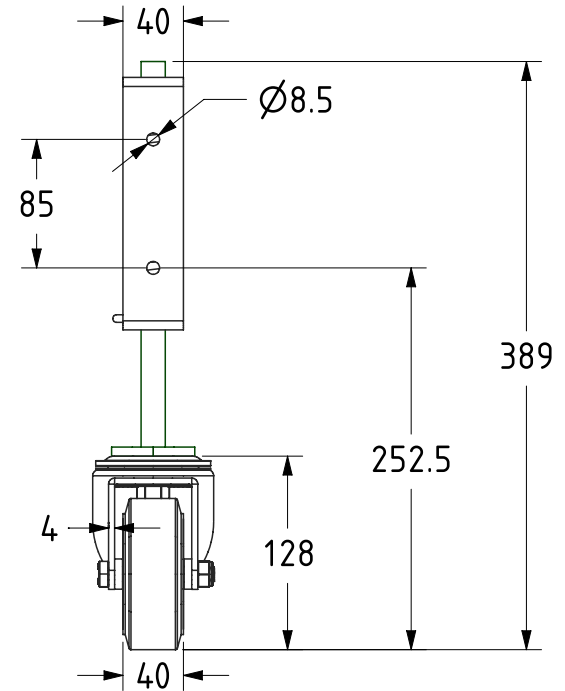
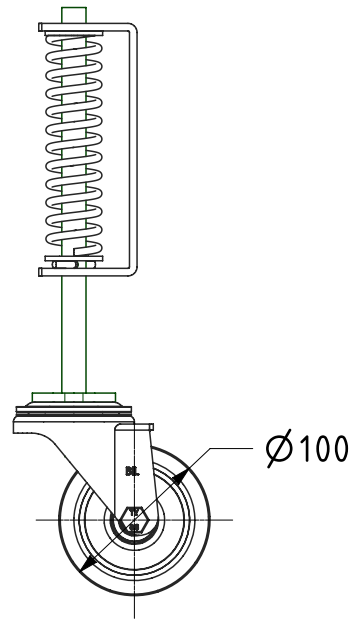

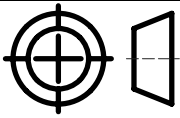


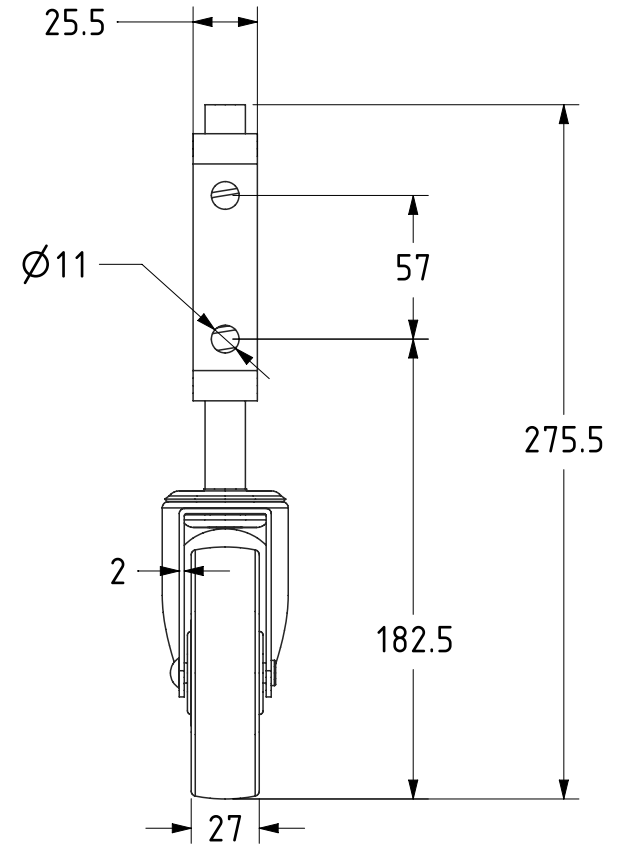
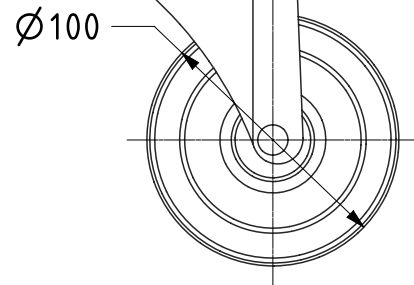
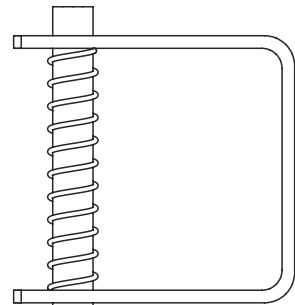
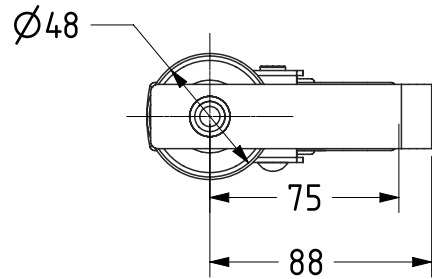
UNCONTROLLED REFERENCE DRAWING



UNLESS OTHERWISE SPECIFIED DIMENSIONS ARE IN MILLIMETRES Unspecified Tolerances Machining ± 0.25mm Fabrication ± 1mm	Sinclair & Rush Ltd 11-13 Spectrum West, 20/20 Business Estate, St Lawrence Avenue, Maidstone ME16 0LL 01634 686 504		NAME	DATE	 Sinclair & Rush <small>Global Manufacturer of Plastic, Rubber & Foam Components</small>		
		DRAWN	Matt	03/11/22			
		APPROVED BY	Kevin	03/11/22	DWG NO.	OCS04	REV 1
		SCALE	1:5		OCS04		SHEET 1 OF 1
		WEIGHT	2.44kg				



UNCONTROLLED REFERENCE DRAWING



UNLESS OTHERWISE SPECIFIED DIMENSIONS ARE IN MILLIMETRES

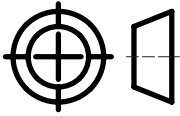
Unspecified Tolerances
Machining ± 0.25mm
Fabrication ± 1mm

DRAWING DISCLAIMER

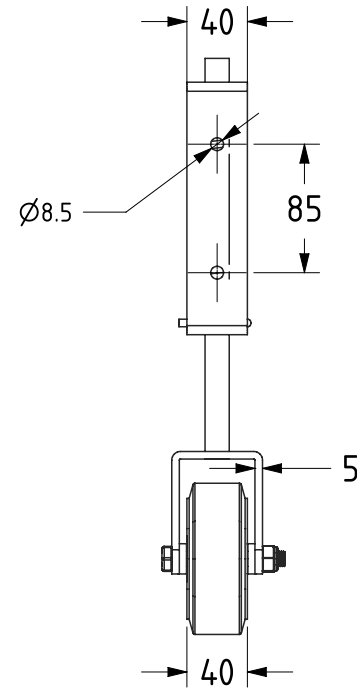
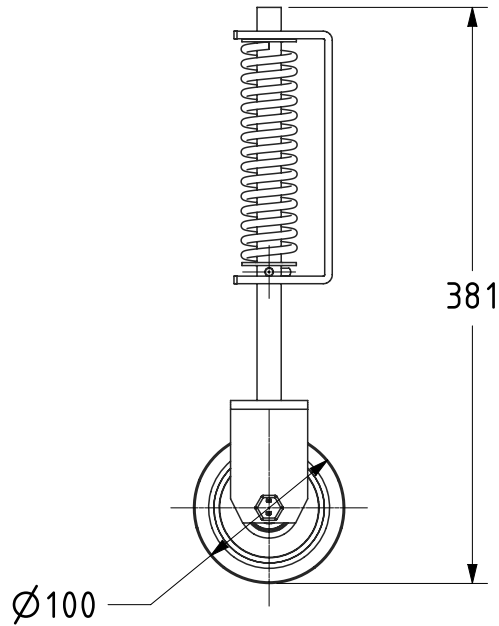
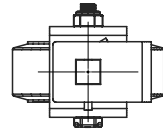
COPYRIGHT OF THIS DRAWING IS RESERVED BY AGENT OF SINCLAIR & RUSH LTD. IT IS ISSUED ON CONDITION THAT IT IS NOT REPRODUCED, COPIED, OR DISCLOSED TO A THIRD PARTY EITHER WHOLLY OR IN PART WITHOUT THE CONSENT IN WRITING OF THE AGENT OF SINCLAIR & RUSH LTD.

	NAME	DATE
DRAWN	Matt	30/09/22
APPROVED BY		
SCALE	1:3	
WEIGHT	0.945kg	

 Sinclair & Rush <small>Global Manufacturer of Plastic, Rubber & Foam Components</small>	
PART No.	97358
REV	1
CASTORS/WHEELS-FIXED-100.00MM-HARD RUBBER TYRE-27.00MM-276.00MM-M10-60KGS-BLACK	



Uncontrolled Reference Drawing



UNLESS OTHERWISE SPECIFIED DIMENSIONS ARE IN MILLIMETRES Unspecified Tolerances Machining ± 0.25mm Fabrication ± 1mm	CASTORS/WHEELS-FIXED-100.00MM-ELASTIC RUBBER TYRE-40.00MM-375.00MM-M8-75KGS-BLACK	NAME	DATE	Sinclair & Rush <small>Global Manufacturer of Plastic, Rubber & Foam Components</small>	DWG NO. OCS03	REV 1
		DRAWN	Matt			
		APPROVED BY				
		SCALE	1:5			
		WEIGHT				
				OCS03		SHEET 1 OF 1