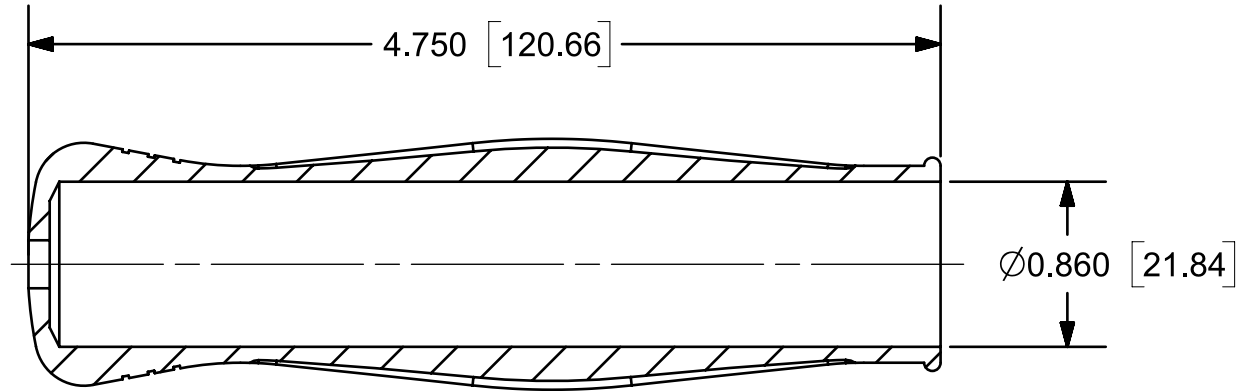
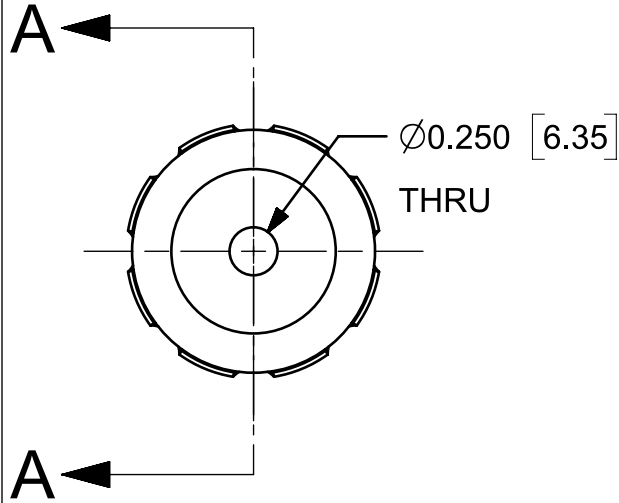
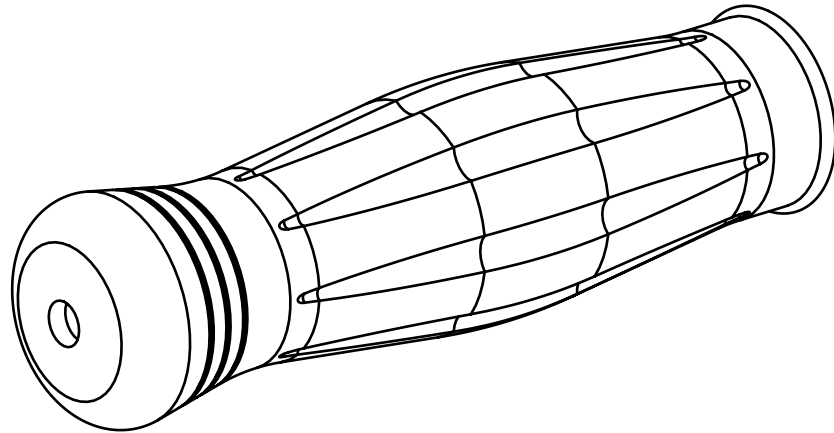


REV	DESCRIPTION	DATE	BY	APP





SECTION A-A

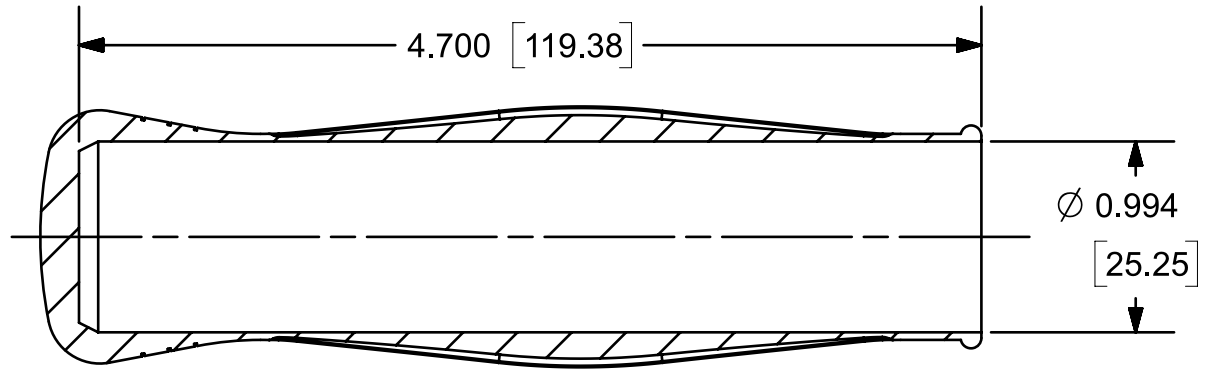
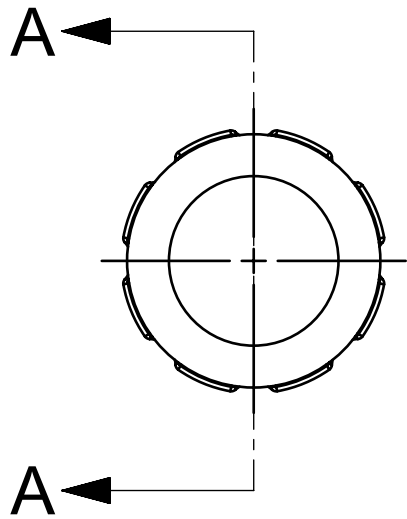


NOTES:

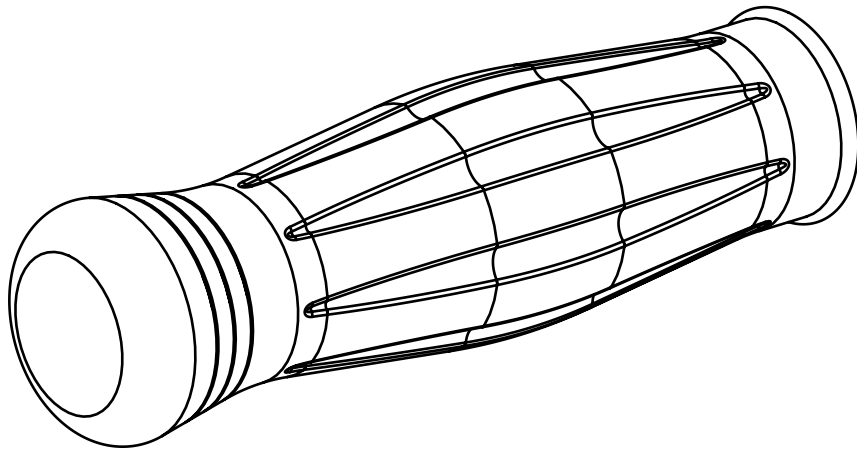
1. DIMENSIONS IN [ ] ARE METRIC.
2. MATERIAL: FLEXIBLE PVC
3. COLOR: BLACK
4. DUROMETER: 75 SHORE A
5. SURFACE TYPE: MEDIUM GLOSS

	<b>STOCKCAP VISIPAK GRIPWORKS</b> <a href="http://www.stockcap.com">www.stockcap.com</a> <a href="http://www.visipak.com">www.visipak.com</a> <a href="http://www.gripworks.com">www.gripworks.com</a>		
	SINCLAIR & RUSH, INC 123 MANUFACTURERS DR. ARNOLD, MO 63010		
UNLESS OTHERWISE SPECIFIED:  DIMENSIONS ARE IN INCHES	THIS DRAWING CONTAINS CONFIDENTIAL INFORMATION OF SINCLAIR & RUSH INC. AND IS NOT TO BE COPIED, USED OR, DISCLOSED TO OTHERS WITHOUT THE EXPRESS WRITTEN CONSENT OF SINCLAIR & RUSH, INC		
	ALL DIMENSIONS AND SYMBOLS CONFORM TO ANSI Y14.5	DRW <b>JAB</b>	DATE <b>25-OCT-21</b>
		CK <b>GSG</b>	DATE <b>26-OCT-21</b>
		APP <b>GSG</b>	DATE <b>26-OCT-21</b>
<b>SCALE 1:1</b>			
DESCRIPTION <b>INJECTION GRIP-AH-7/8"-0.860-4.750--FPVC-BLACK-75-GLOSS-0.250 VENT HOLE</b>			
SIZE <b>A</b>	SHEET <b>1 OF 1</b>	PART / DRAWING NUMBER <b>582629</b>	REV <b>0</b>

REV	DESCRIPTION	DATE	BY	APP





SECTION A-A



NOTES:

1. DIMENSIONS IN [ ] ARE METRIC.
2. MATERIAL: FLEXIBLE PVC
3. COLOR: BLACK
4. DUROMETER: 75 SHORE A
5. SURFACE TYPE: MEDIUM GLOSS

	<b>STOCKCAP VISIPAK GRIPWORKS</b> <a href="http://www.stockcap.com">www.stockcap.com</a> <a href="http://www.visipak.com">www.visipak.com</a> <a href="http://www.gripworks.com">www.gripworks.com</a>		
	SINCLAIR & RUSH, INC 123 MANUFACTURERS DR. ARNOLD, MO 63010		
UNLESS OTHERWISE SPECIFIED:  DIMENSIONS ARE IN INCHES	THIS DRAWING CONTAINS CONFIDENTIAL INFORMATION OF SINCLAIR & RUSH INC. AND IS NOT TO BE COPIED, USED OR, DISCLOSED TO OTHERS WITHOUT THE EXPRESS WRITTEN CONSENT OF SINCLAIR & RUSH, INC		
	ALL DIMENSIONS AND SYMBOLS CONFORM TO ANSI Y14.5	DRW <b>JAB</b>	DATE <b>22-OCT-21</b>
		CK <i>GSG</i>	DATE <b>26-OCT-21</b>
		APP <i>GSG</i>	DATE <b>26-OCT-21</b>
SCALE 1:1			
DESCRIPTION <b>INJECTION GRIP-AH-1"-0.994--4.700-FPVC-BLACK-75-GLOSS</b>			
SIZE <b>A</b>	SHEET <b>1 OF 1</b>	PART / DRAWING NUMBER <b>895079</b>	REV <b>0</b>