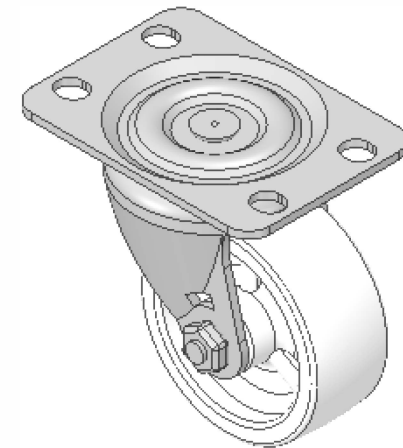
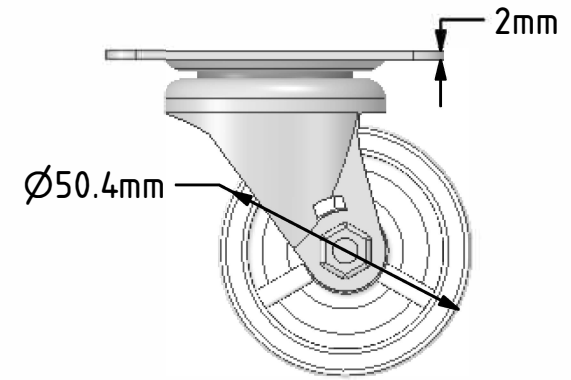
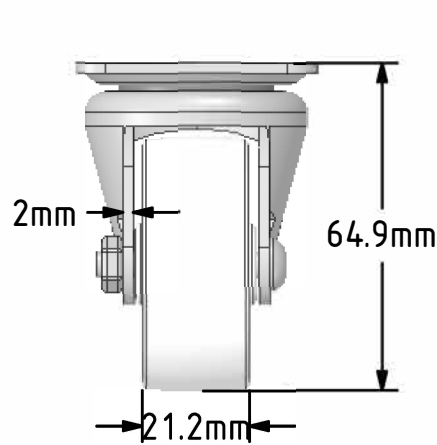
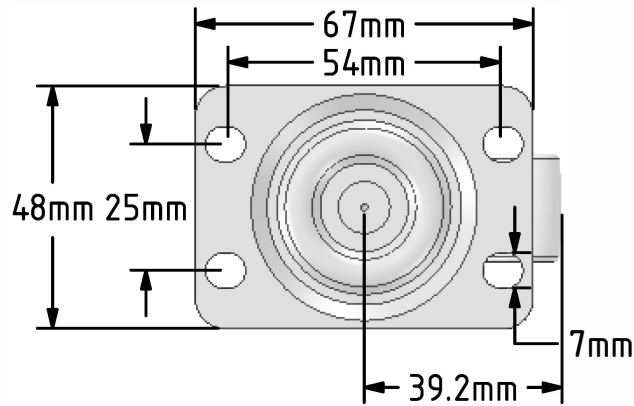


Sinclair & Rush | 01634 686504 |
sales@sinclair-rush.co.uk



Description:
CS211

Pressed steel swivel castor with a top plate fixing fitted with a white nylon wheel with a plain bearing. Wheel diameter 50mm, tread width 20mm, overall height 64mm, top plate 67mm x 48mm, hole centres 54mm x 25mm. Load capacity 50kg



	NAME	DATE
DRAWN	Matt	15/06/18
APPROVED BY	Chris	15/06/18
SCALE	2:3	15/06/18
WEIGHT	0.164kg	15/06/18

UNLESS OTHERWISE SPECIFIED DIMENSIONS ARE IN MILLIMETRES

Unspecified Tolerances
Machining ± 0.25mm
Fabrication ± 1mm

Sinclair & Rush Ltd.

TITLE

CS211

SIZE
A4

DWG NO.

CS211_01

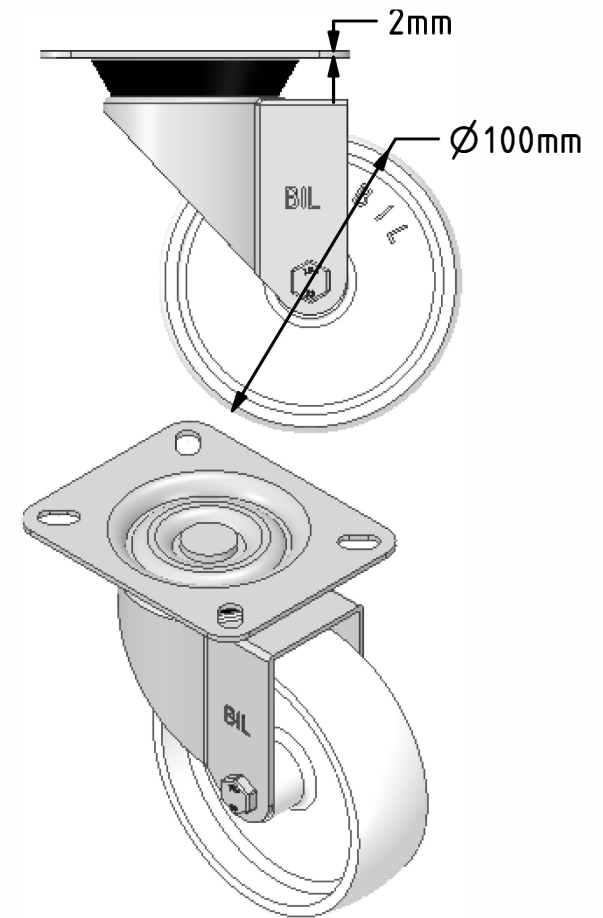
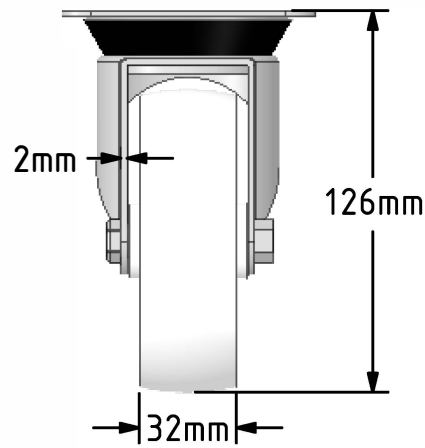
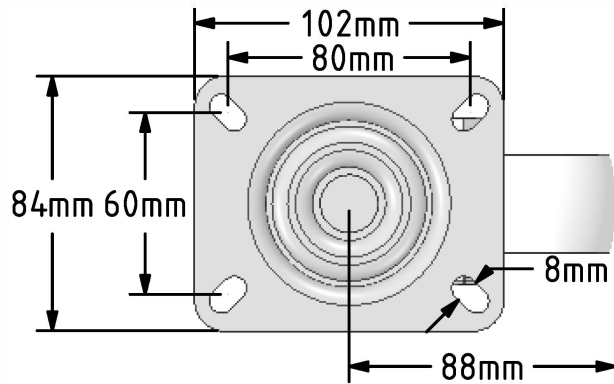
REV
1

FILE NAME

CS211_01.PDF

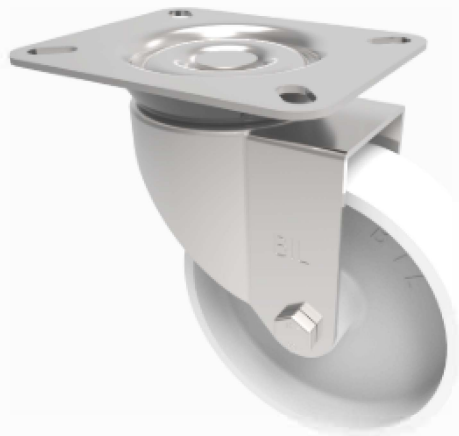
SHEET 1 OF 1

Sinclair & Rush | 01634 686504 |
sales@sinclair-rush.co.uk



Description:
CS234

Pressed steel swivel castor with a flat plate fixing fitted with a White polypropylene wheel with a plain bearing. Wheel diameter 100mm, tread width 32mm, overall height 126mm, plate size 102mm x 84mm, hole centres 80mm x 60mm. Load capacity 125kg.



	NAME	DATE
DRAWN	Matt	08/01/18
APPROVED BY	Chris	08/01/18
SCALE	2.5	08/01/18
WEIGHT	0.524kg	08/01/18

UNLESS OTHERWISE SPECIFIED DIMENSIONS ARE IN MILLIMETRES

Unspecified Tolerances
Machining ± 0.25mm
Fabrication ± 1mm

Sinclair & Rush Ltd.

TITLE

CS234

SIZE DWG NO.

A4

CS234_01

REV

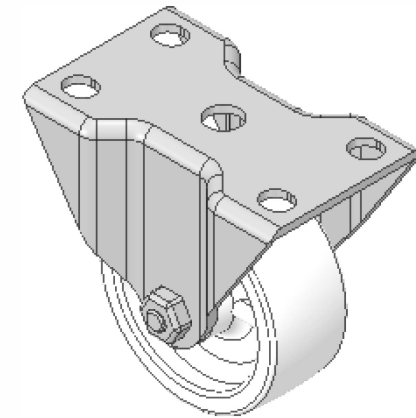
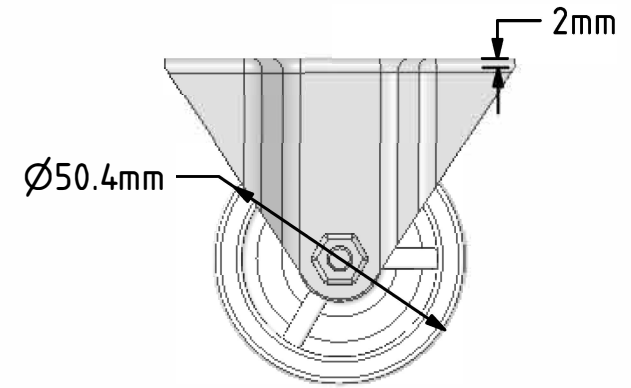
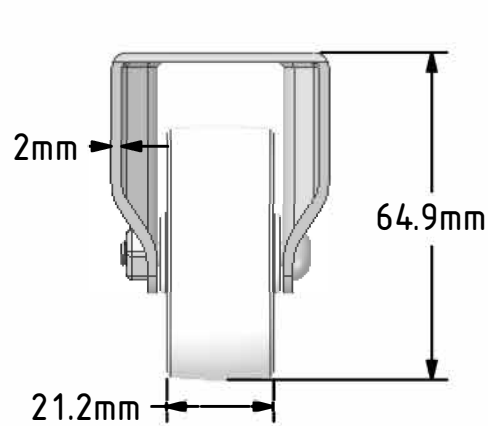
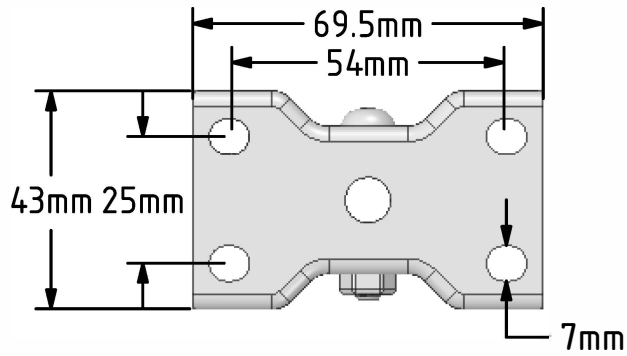
1

FILE NAME

CS234_01.PDF

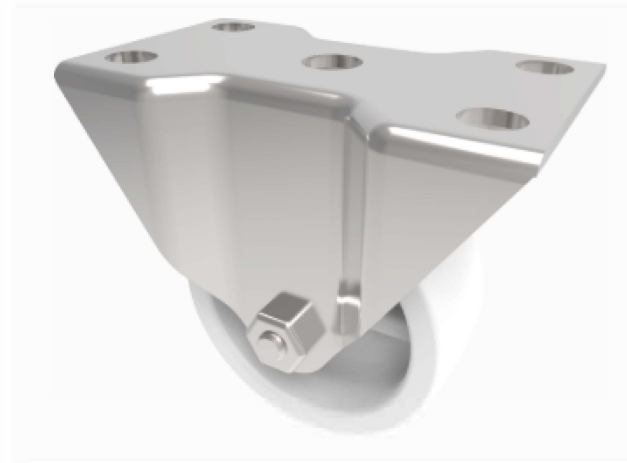
SHEET 1 OF 1

Sinclair & Rush | 01634 686504 |
sales@sinclair-rush.co.uk



Description:
CS213

Pressed steel fixed castor with a top plate fixing fitted with a white nylon wheel with a plain bearing. Wheel diameter 50mm, tread width 21mm, overall height 64mm, top plate 69mm x 43mm, hole centres 54mm x 25mm. Load capacity 50kg



	NAME	DATE
DRAWN	Matt	15/06/18
APPROVED BY	Chris	15/06/18
SCALE	2:3	15/06/18
WEIGHT	0.13kg	15/06/18

Sinclair & Rush Ltd.

TITLE

CS213

UNLESS OTHERWISE SPECIFIED DIMENSIONS ARE IN MILLIMETRES

Unspecified Tolerances
Machining ± 0.25mm
Fabrication ± 1mm

SIZE DWG NO.

A4

CS213_01

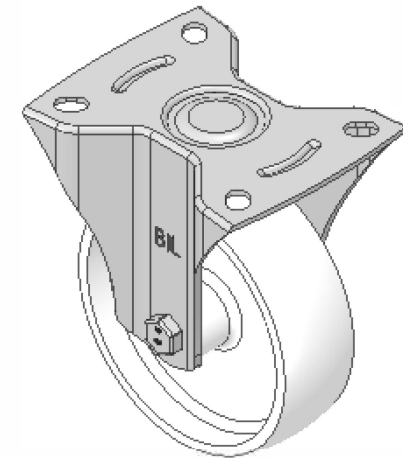
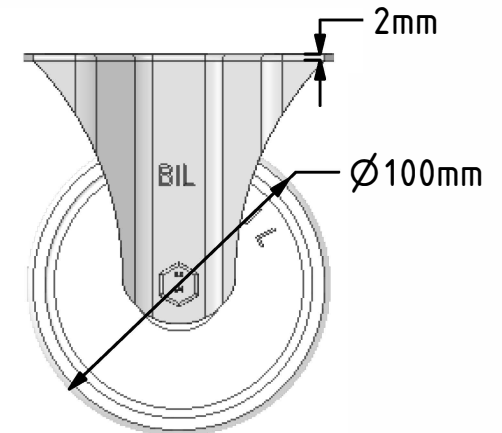
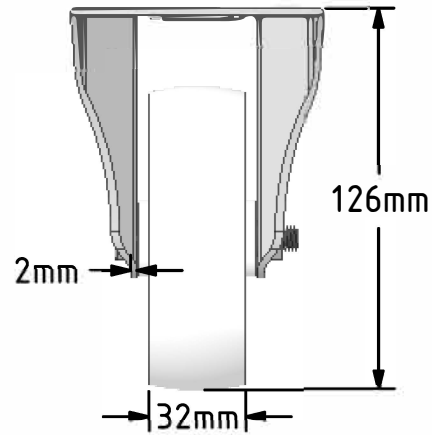
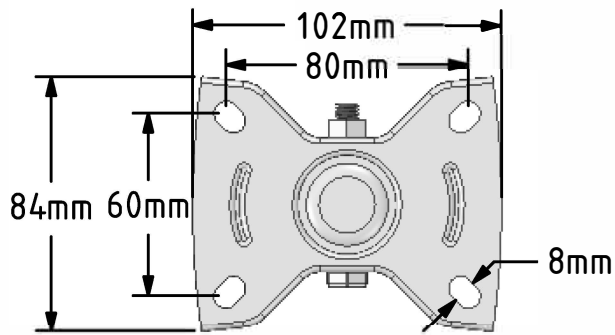
REV
1

FILE NAME

CS213_01.PDF

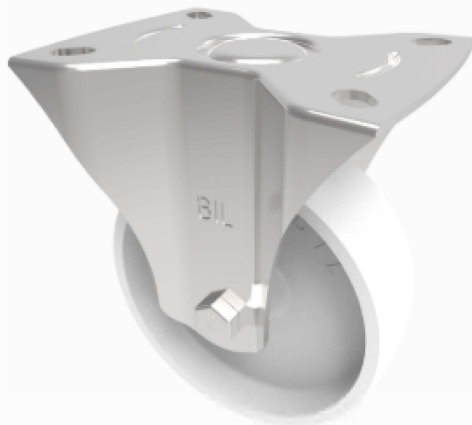
SHEET 1 OF 1

Sinclair & Rush | 01634 686504 |
sales@sinclair-rush.co.uk



Description:
56058

Pressed steel fixed castor with a flat plate fixing fitted with a white polypropylene wheel with a plain bearing. Wheel diameter 100mm, tread width 32mm, overall height 126mm, plate size 102mm x 84mm, hole centres 80mm x 60mm. Load capacity 90kg.



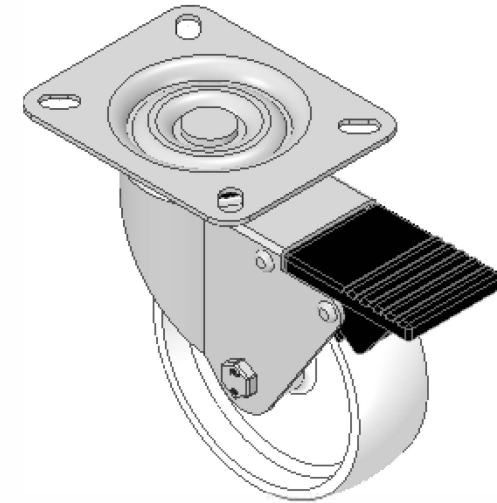
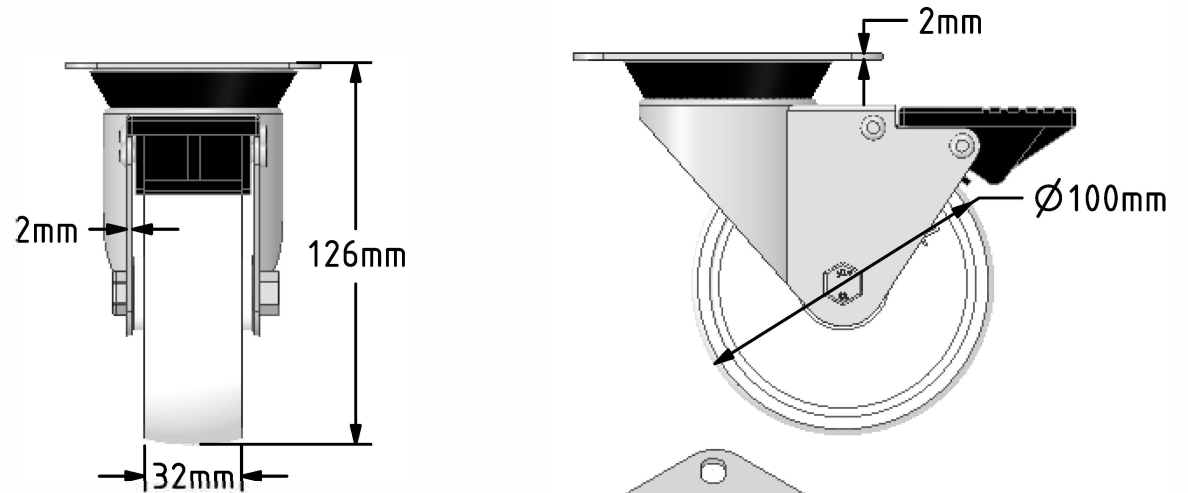
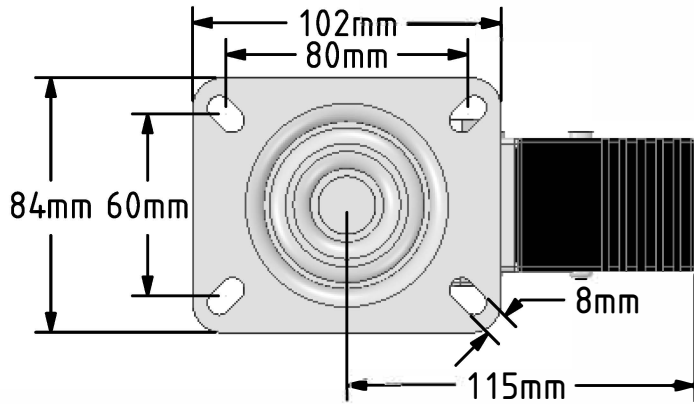
	NAME	DATE
DRAWN	Matt	08/01/18
APPROVED BY	Chris	08/01/18
SCALE	2.5	08/01/18
WEIGHT	0.372kg	08/01/18

UNLESS OTHERWISE SPECIFIED DIMENSIONS ARE IN MILLIMETRES
Unspecified Tolerances
Machining ± 0.25mm
Fabrication ± 1mm

Sinclair & Rush Ltd.

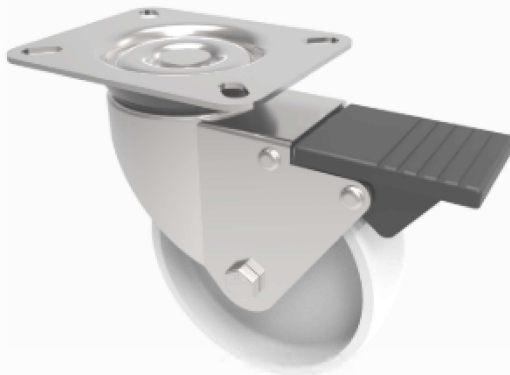
TITLE		REV
56058		1
SIZE	DWG NO.	
A4	56058_01	
FILE NAME	56058_01.PDF	SHEET 1 OF 1

Sinclair & Rush | 01634 686504 |
sales@sinclair-rush.co.uk



Description:
WH97

Pressed steel swivel castor with a top plate fixing fitted with a white polypropylene wheel with a plain bearing and swivel wheel brake. Wheel diameter 100mm, tread width 32mm, overall height 126mm, plate size 102mm x 84mm, hole centres 80mm x 60mm. Load capacity 125kg.



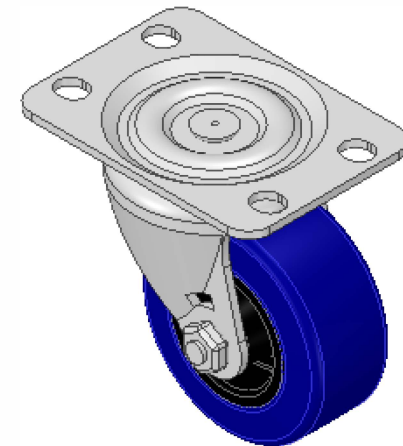
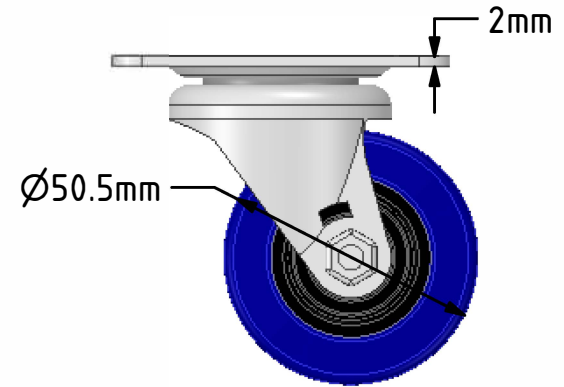
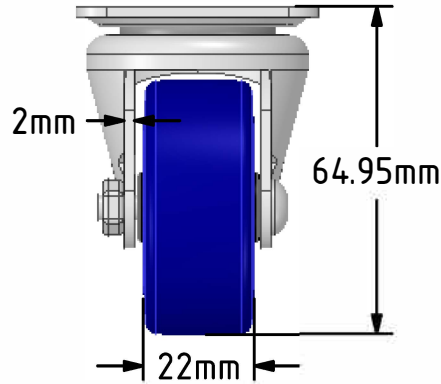
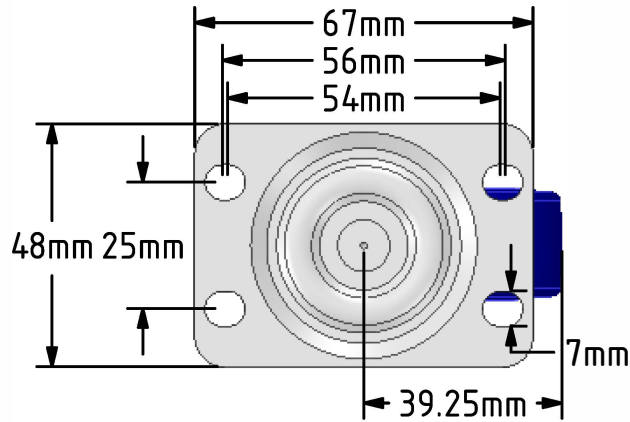
	NAME	DATE
DRAWN	Matt	08/01/18
APPROVED BY	Chris	08/01/18
SCALE	2.5	08/01/18
WEIGHT	0.636kg	08/01/18

UNLESS OTHERWISE SPECIFIED DIMENSIONS ARE IN MILLIMETRES
Unspecified Tolerances
Machining ± 0.25mm
Fabrication ± 1mm

Sinclair & Rush Ltd.

TITLE		REV
WH97		1
SIZE	DWG NO.	
A4	WH97_01	
FILE NAME	WH97_01.PDF	SHEET 1 OF 1

Sinclair & Rush | 01634 686504 |
sales@sinclair-rush.co.uk



Description:
RCS03

Pressed steel swivel castor with a top plate fixing fitted with a 65 shore A blue elastic rubber tyred black nylon centre wheel with a plain bearing. Wheel diameter 50mm, tread width 22mm, overall height 64mm, top plate 67mm x 48mm, hole centres 56/54mm x 25mm. Load capacity 50kg



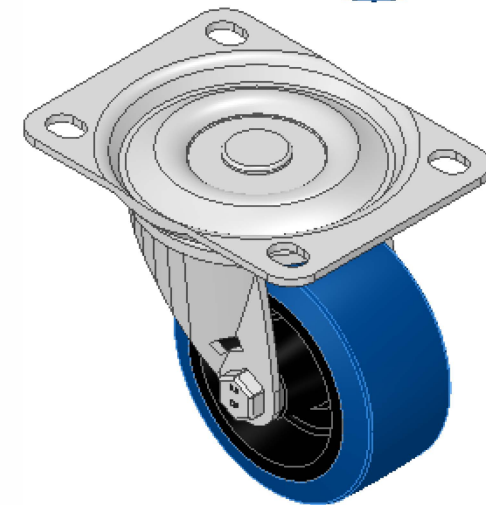
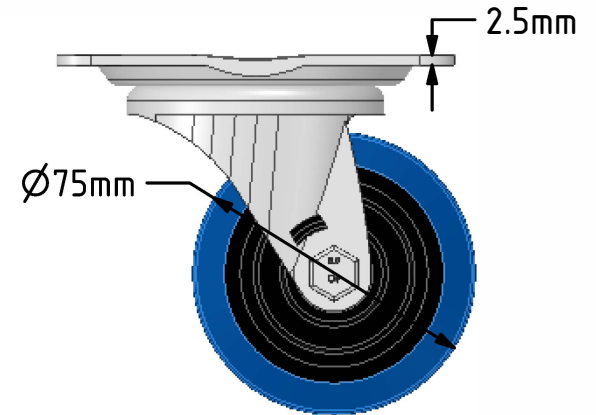
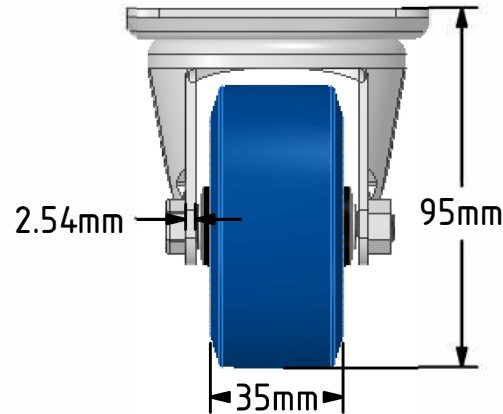
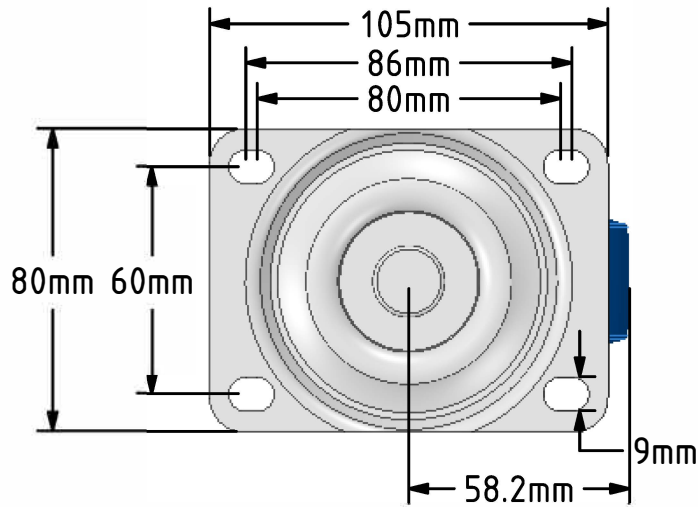
	NAME	DATE
DRAWN	Matt	19/06/18
APPROVED BY	Chris	19/06/18
SCALE	2:3	19/06/18
WEIGHT	0.172kg	19/06/18

UNLESS OTHERWISE SPECIFIED DIMENSIONS ARE IN MILLIMETRES
Unspecified Tolerances
Machining ± 0.25mm
Fabrication ± 1mm

Sinclair & Rush Ltd.

TITLE		REV
RCS03		1
SIZE	DWG NO.	
A4	RCS03_01	
FILE NAME	RCS03_01.PDF	SHEET 1 OF 1

Sinclair & Rush | 01634 686504 |
sales@sinclair-rush.co.uk



Description:
RCS05

Pressed steel swivel castor fitted with a 65 shore A blue elastic rubber tyre wheel with a black nylon centre with a plain bearing. Wheel diameter 75mm, Tread width 35mm, Overall Height 95mm, Top Plate 105mm x 80mm, Hole Centres 80mm x 60mm, Load Capacity 130kg. REACH compliant also PAH-Free rubber to confirm to EU-directive 2005/69/EC



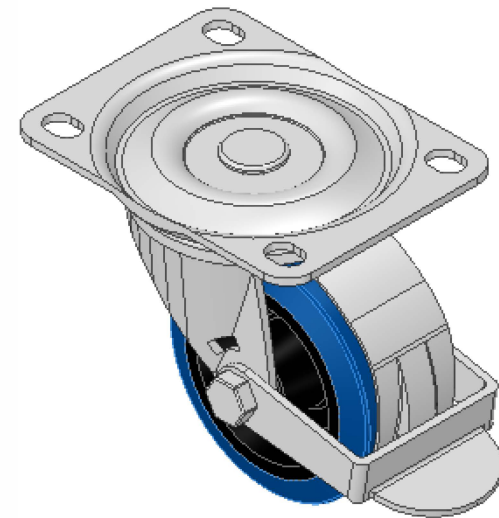
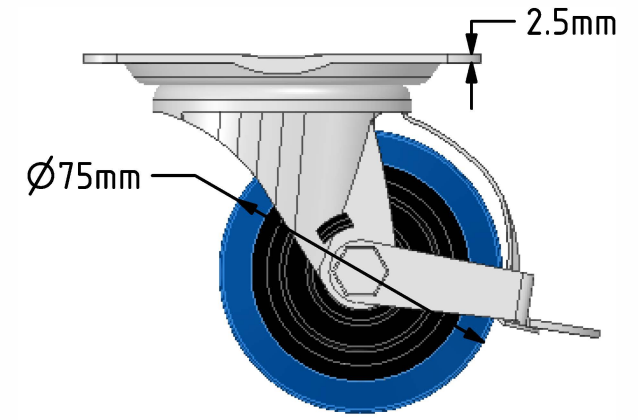
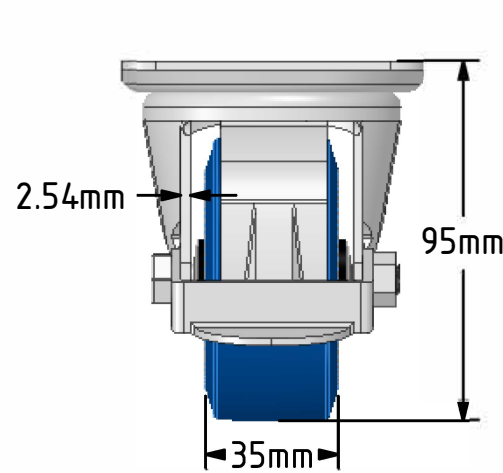
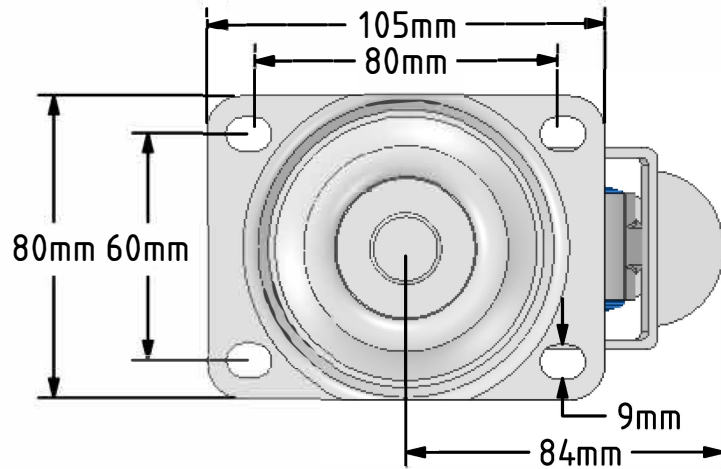
	NAME	DATE
DRAWN	Matt	25/07/18
APPROVED BY	Tim W	25/07/18
SCALE	1:2	25/07/18
WEIGHT	0.526kg	25/07/18

UNLESS OTHERWISE SPECIFIED DIMENSIONS ARE IN MILLIMETRES
Unspecified Tolerances
Machining ± 0.25mm
Fabrication ± 1mm

Sinclair & Rush Ltd.

TITLE		REV
RCS05		2
SIZE	DWG NO.	
A4	RCS05_02	
FILE NAME	RCS05_02.SCD0C	SHEET 1 OF 1

Sinclair & Rush | 01634 686504 |
sales@sinclair-rush.co.uk



Description:
RCS07

Pressed steel swivel castor fitted with a 65 shore A blue elastic rubber tyre wheel with a black nylon centre with a plain bearing and wheel brake. Wheel diameter 75mm, Tread width 35mm, Overall Height 95mm, Top Plate 105mm x 80mm, Hole Centres 80mm x 60mm, Load Capacity 130kg. REACH compliant also PAH-Free rubber to confirm to EU-directive 2005/69/EC



	NAME	DATE
DRAWN	Matt	13/07/18
APPROVED BY	Chris	13/07/18
SCALE	1:2	13/07/18
WEIGHT	0.65kg	13/07/18

UNLESS OTHERWISE SPECIFIED DIMENSIONS ARE IN MILLIMETRES
Unspecified Tolerances
Machining ± 0.25mm
Fabrication ± 1mm

Sinclair & Rush Ltd.

TITLE

RCS07

SIZE DWG NO.
A4

RCS07_01

REV
1

FILE NAME

RCS07_01.PDF

SHEET 1 OF 1