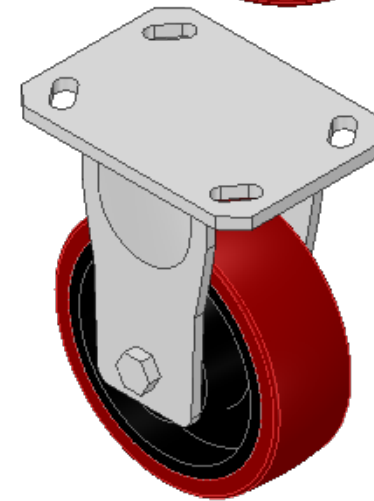
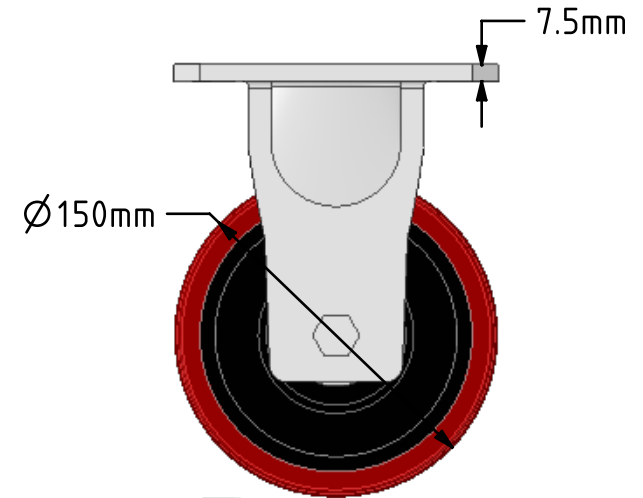
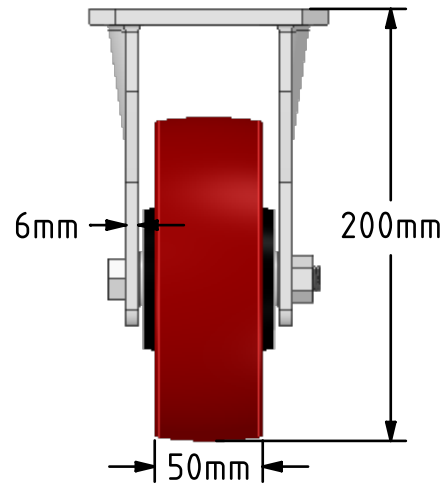
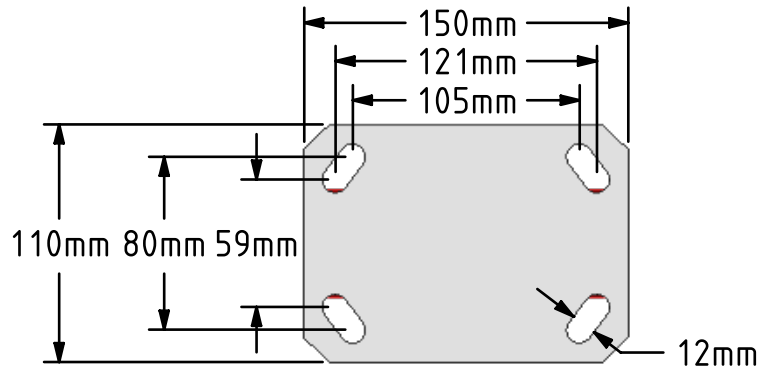
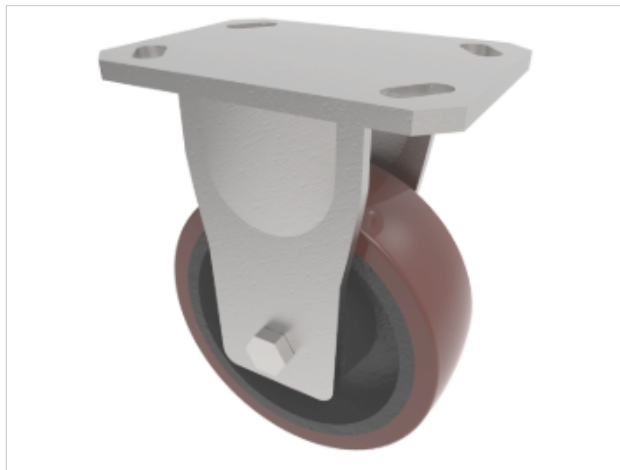


Sinclair & Rush | 01634 686504 |
sales@sinclair-rush.co.uk



Description:
HCS01

Fabricated fixed castor with a top plate fixing fitted with a polyurethane tyred cast iron centred wheel with ball bearings. Wheel diameter 150mm, tread width 50mm, overall height 200mm, top plate 150mm x 110mm, hole centres 105mm x 80mm or 121mm x 59mm. Load capacity 800kg.



	NAME	DATE
DRAWN	Matt	10/07/18
APPROVED BY	Tim W	10/07/18
SCALE	2:7	10/07/18
WEIGHT	4.237kg	10/07/18

UNLESS OTHERWISE SPECIFIED DIMENSIONS ARE IN MILLIMETRES

Unspecified Tolerances
Machining $\pm 0.25\text{mm}$
Fabrication $\pm 1\text{mm}$

Sinclair & Rush Ltd.

TITLE

HCS01

SIZE DWG NO.

A4

HCS01_02

REV

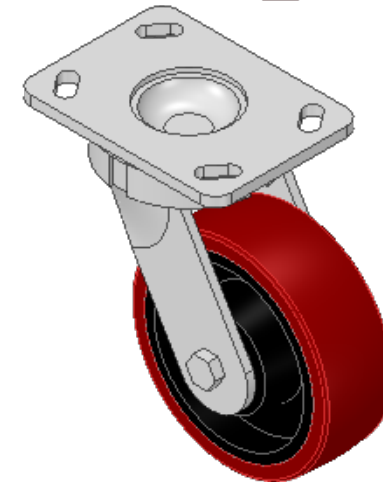
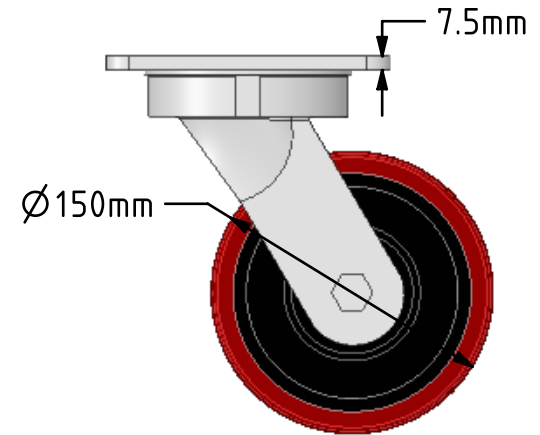
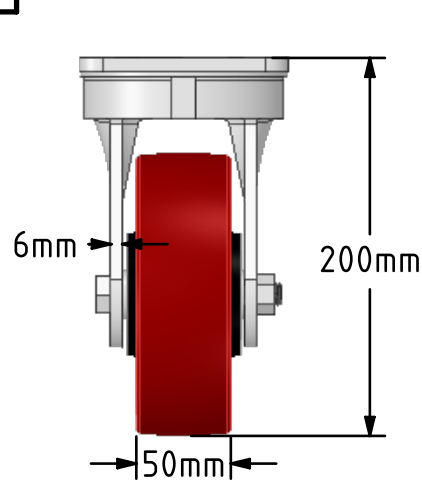
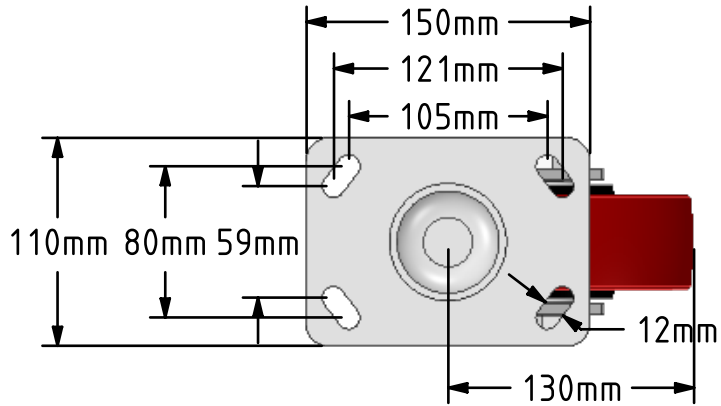
2

FILE NAME

HCS01_02.PDF

SHEET 1 OF 1

Sinclair & Rush | 01634 686504 |
sales@sinclair-rush.co.uk



Description:
HCS02

Fabricated swivel castor with a top plate fitted with a brown polyurethane tyre on a cast iron centred wheel with ball bearings. Wheel diameter 150mm, tread width 50mm, overall height 200mm, top plate 150mm x 110mm, hole centres 105mm x 80mm or 121mm x 59mm. Load capacity 750kg.



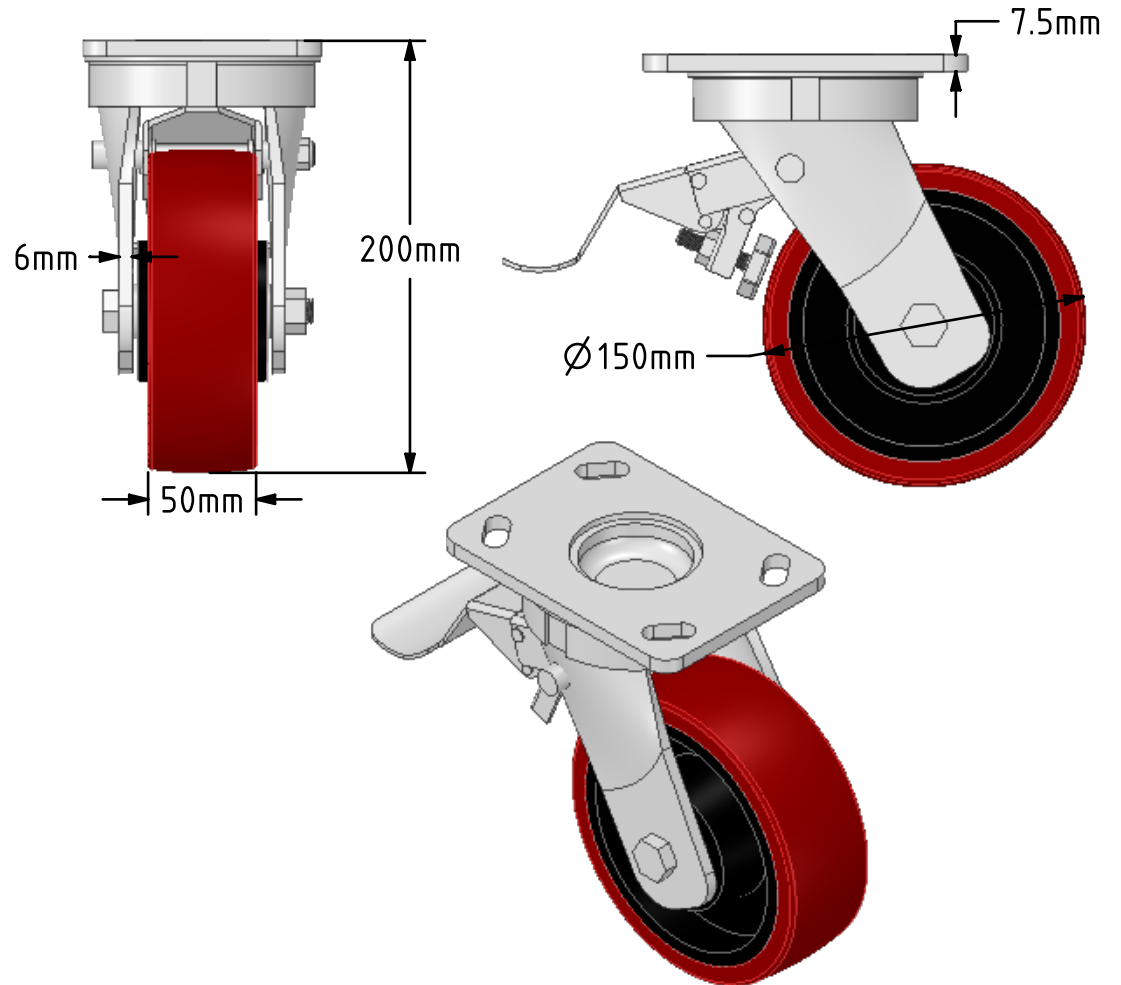
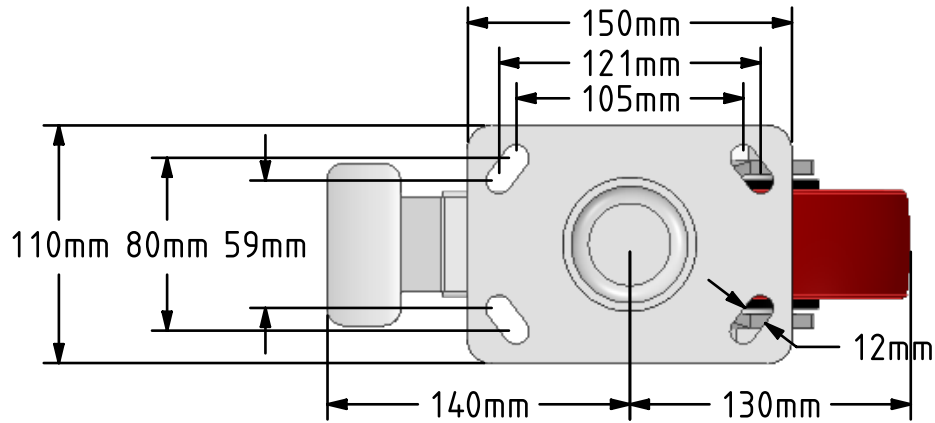
	NAME	DATE
DRAWN	Matt	10/07/18
APPROVED BY	Tim W	10/07/18
SCALE	1:4	10/07/18
WEIGHT	5.429kg	10/07/18

UNLESS OTHERWISE SPECIFIED DIMENSIONS ARE IN MILLIMETRES
Unspecified Tolerances
Machining ± 0.25mm
Fabrication ± 1mm

Sinclair & Rush Ltd.

TITLE		REV
HCS02		2
SIZE	DWG NO.	
A4	HCS02_02	
FILE NAME	HCS02_02.PDF	SHEET 1 OF 1

Sinclair & Rush | 01634 686504 |
sales@sinclair-rush.co.uk



Description:
HCS03

Fabricated swivel castor with a top plate fitted with a brown polyurethane tyre on a cast iron centred wheel with ball bearings and total lock brake. Wheel diameter 150mm, tread width 50mm, overall height 200mm, top plate 150mm x 110mm, hole centres 105mm x 80mm or 121mm x 59mm. Load cap 750kg.



	NAME	DATE
DRAWN	Matt	05/07/18
APPROVED BY	Chris	05/07/18
SCALE	2:7	05/07/18
WEIGHT	6.029kg	05/07/18

UNLESS OTHERWISE SPECIFIED DIMENSIONS ARE IN MILLIMETRES

Unspecified Tolerances
Machining $\pm 0.25\text{mm}$
Fabrication $\pm 1\text{mm}$

Sinclair & Rush Ltd.

TITLE

HCS03

SIZE DWG NO.

A4

HCS03_02

REV

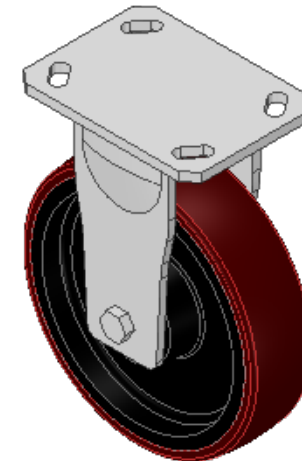
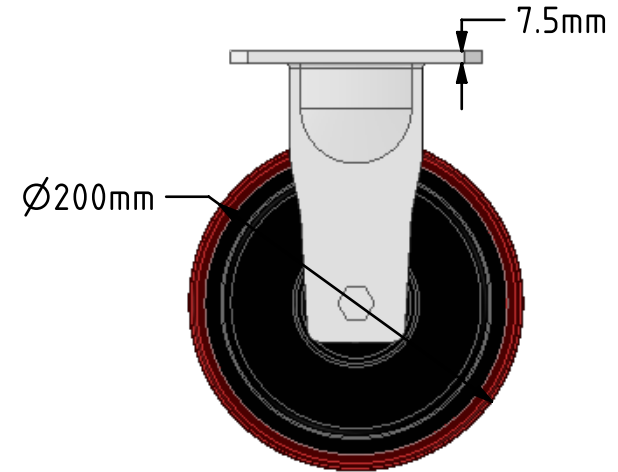
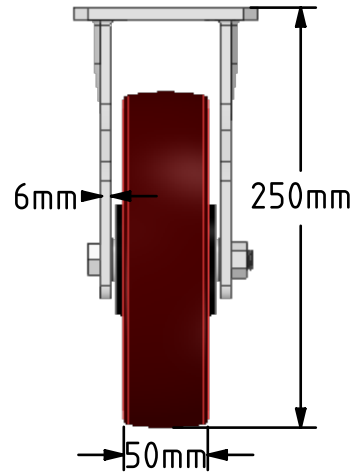
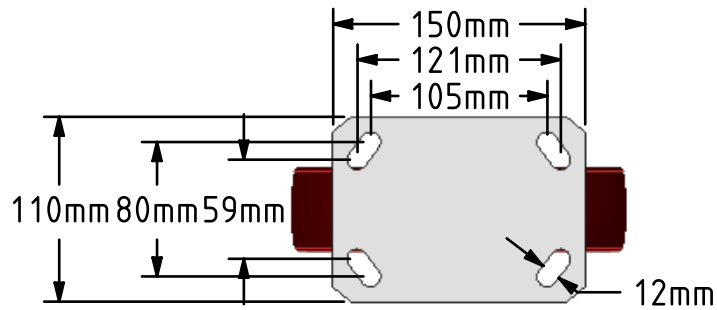
2

FILE NAME

HCS03_02.PDF

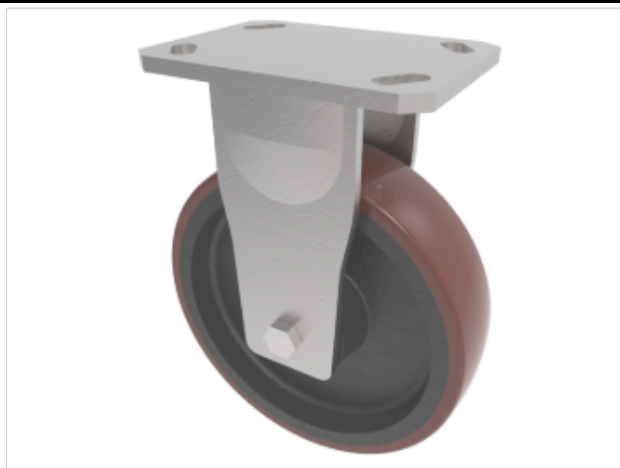
SHEET 1 OF 1

Sinclair & Rush | 01634 686504 |
sales@sinclair-rush.co.uk



Description:
HCS04

Fabricated 6mm steel fixed castor with a top plate fixing fitted with a polyurethane tyred cast iron centred wheel with ball bearings. Wheel diameter 200mm, tread width 50mm, overall height 250mm, top plate 150mm x 110mm, hole centres 105mm x 80mm or 121mm x 59mm. Load capacity 1000kg.



	NAME	DATE
DRAWN	Matt	02/02/18
APPROVED BY	Chris	02/02/18
SCALE	2:9	02/02/18
WEIGHT	5.726kg	02/02/18

UNLESS OTHERWISE SPECIFIED DIMENSIONS ARE IN MILLIMETRES

Unspecified Tolerances
Machining ± 0.25mm
Fabrication ± 1mm

Sinclair & Rush Ltd.

TITLE

HCS04

SIZE DWG NO.

A4

HCS04_02

REV

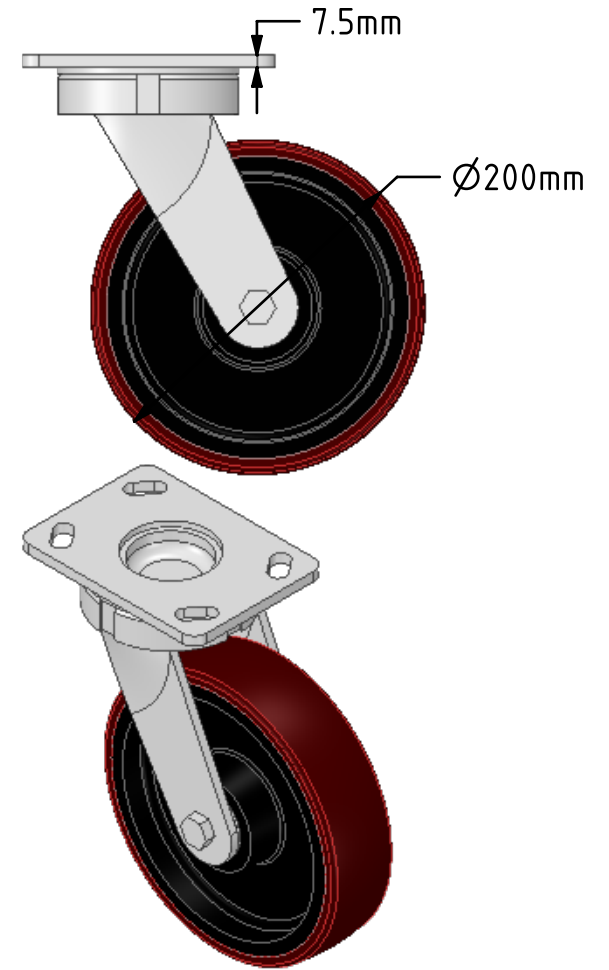
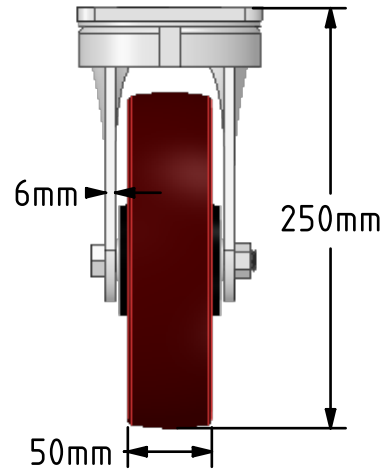
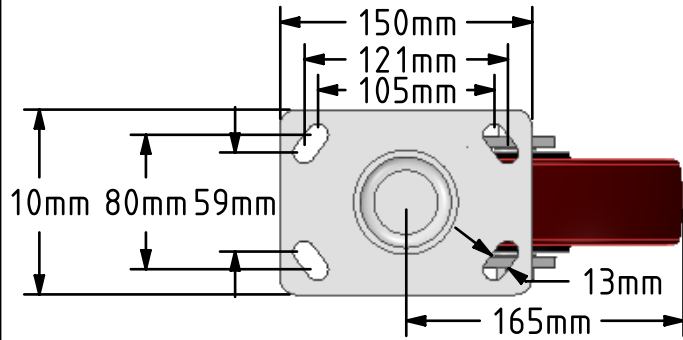
2

FILE NAME

HCS04_02.PDF

SHEET 1 OF 1

Sinclair & Rush | 01634 686504 |
sales@sinclair-rush.co.uk



Description:
HCS05

Fabricated swivel castor with a top plate fixing fitted with a brown polyurethane tyre on a cast iron centred ball bearing wheel. Wheel diameter 200mm, tread width 50mm, overall height 250mm, top plate 150mm x 110mm, hole centres 105mm x 80mm or 121mm x 59mm. Load capacity 1000kg.



	NAME	DATE
DRAWN	Matt	02/02/18
APPROVED BY	Tim W	02/02/18
SCALE	2:9	02/02/18
WEIGHT	6.83kg	02/02/18

UNLESS OTHERWISE SPECIFIED DIMENSIONS ARE IN MILLIMETRES

Unspecified Tolerances
Machining ± 0.25mm
Fabrication ± 1mm

Sinclair & Rush Ltd.

TITLE

HCS05

SIZE DWG NO.

A4

HCS05_02

REV

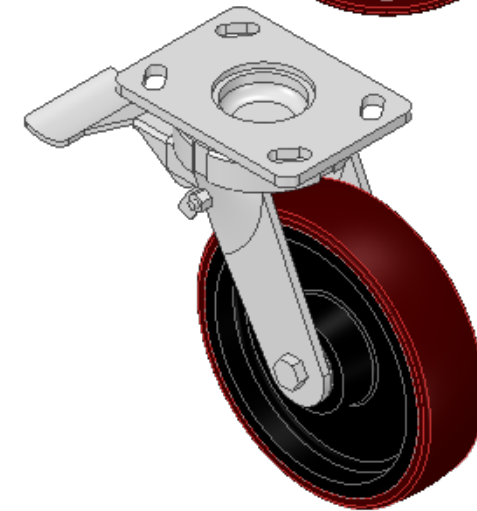
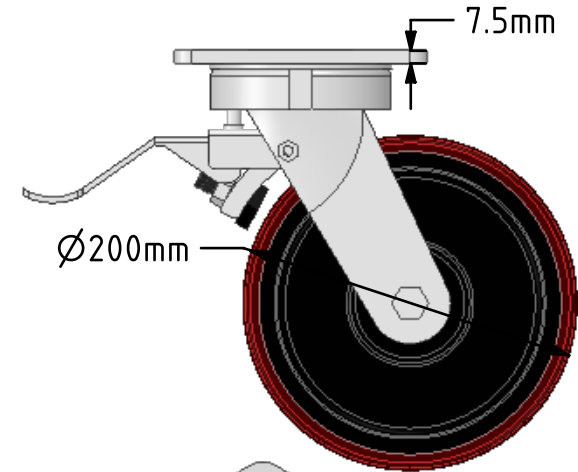
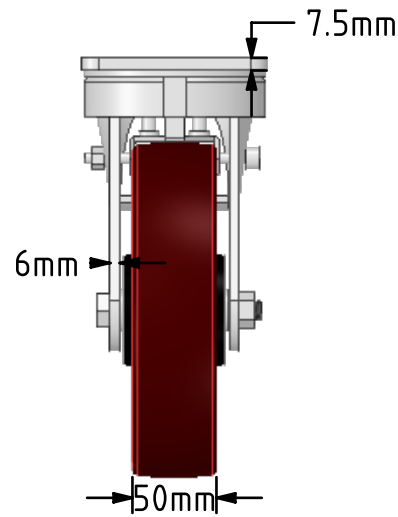
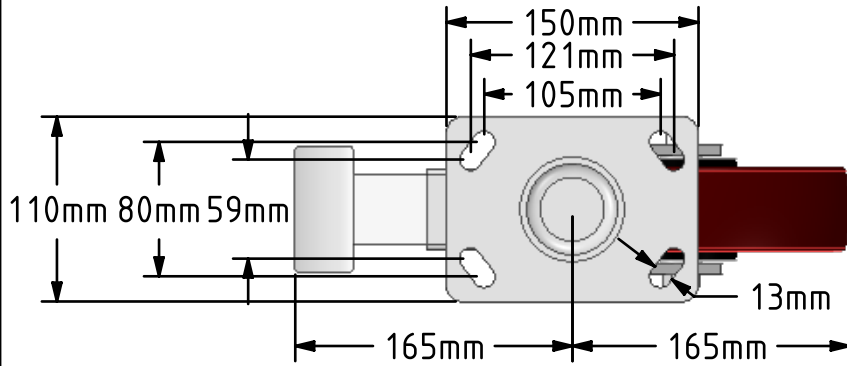
2

FILE NAME

HCS05_02.PDF

SHEET 1 OF 1

Sinclair & Rush | 01634 686504 |
sales@sinclair-rush.co.uk



Description:
HCS06

Fabricated 6mm thick swivel castor with a top plate fixing fitted with a brown polyurethane tyre on a cast iron centred ball bearing wheel with total lock brake. Wheel diameter 200mm, tread width 50mm, overall height 250mm, top plate 150mm x 110mm, hole centres 105mm x 80mm or 121mm x 59mm. Load capacity 1000kg.



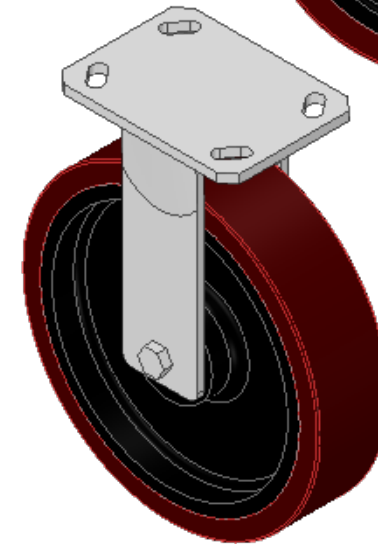
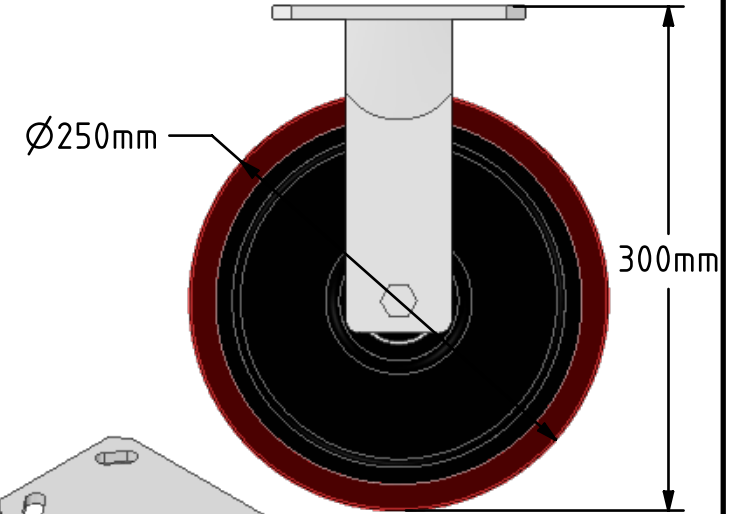
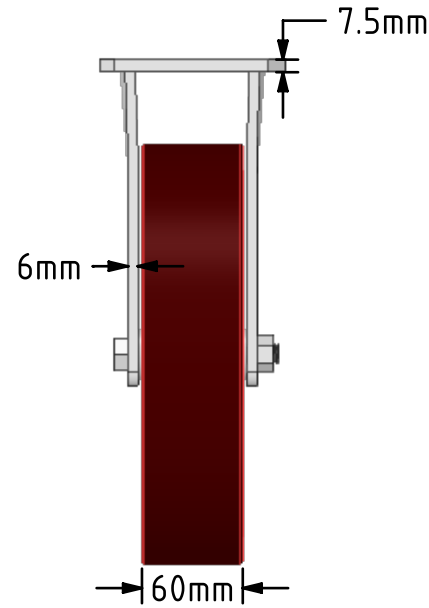
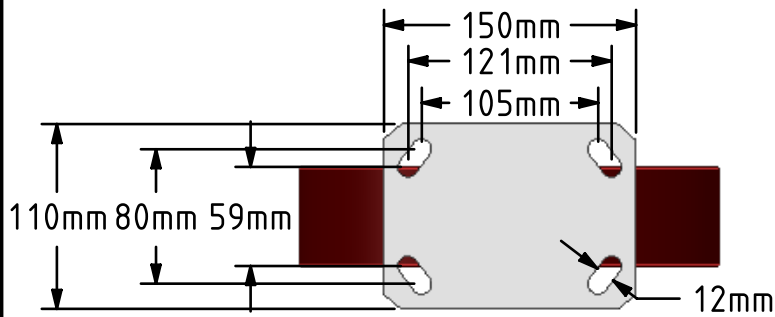
	NAME	DATE
DRAWN	Matt	02/02/18
APPROVED BY	Chris	02/02/18
SCALE	2:9	02/02/18
WEIGHT	7.39kg	02/02/18

UNLESS OTHERWISE SPECIFIED DIMENSIONS ARE IN MILLIMETRES
Unspecified Tolerances
Machining ± 0.25mm
Fabrication ± 1mm

Sinclair & Rush Ltd.

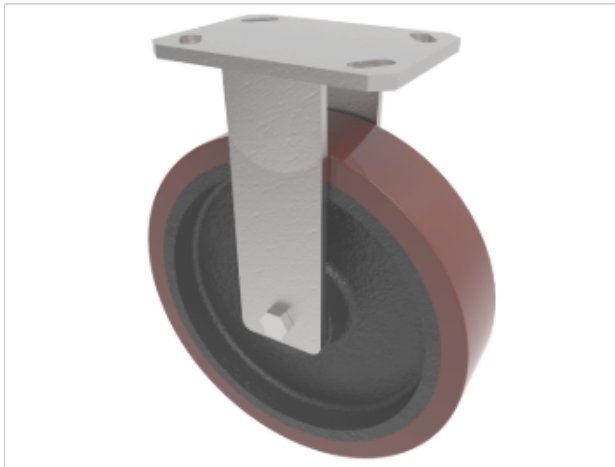
TITLE		REV
HCS06		2
SIZE	DWG NO.	
A4	HCS06_02	
FILE NAME	HCS06_02.PDF	SHEET 1 OF 1

Sinclair & Rush | 01634 686504 |
sales@sinclair-rush.co.uk



Description:
HCS07

Fabricated fixed castor with a top plate fixing fitted with brown polyurethane tyred on cast iron centred wheel with ball bearings. Wheel diameter 250mm, tread width 60mm, overall height 300mm, top plate 150mm x 110mm, hole centres 105mm x 80mm or 121mm x 59mm. Load capacity 1400kg.



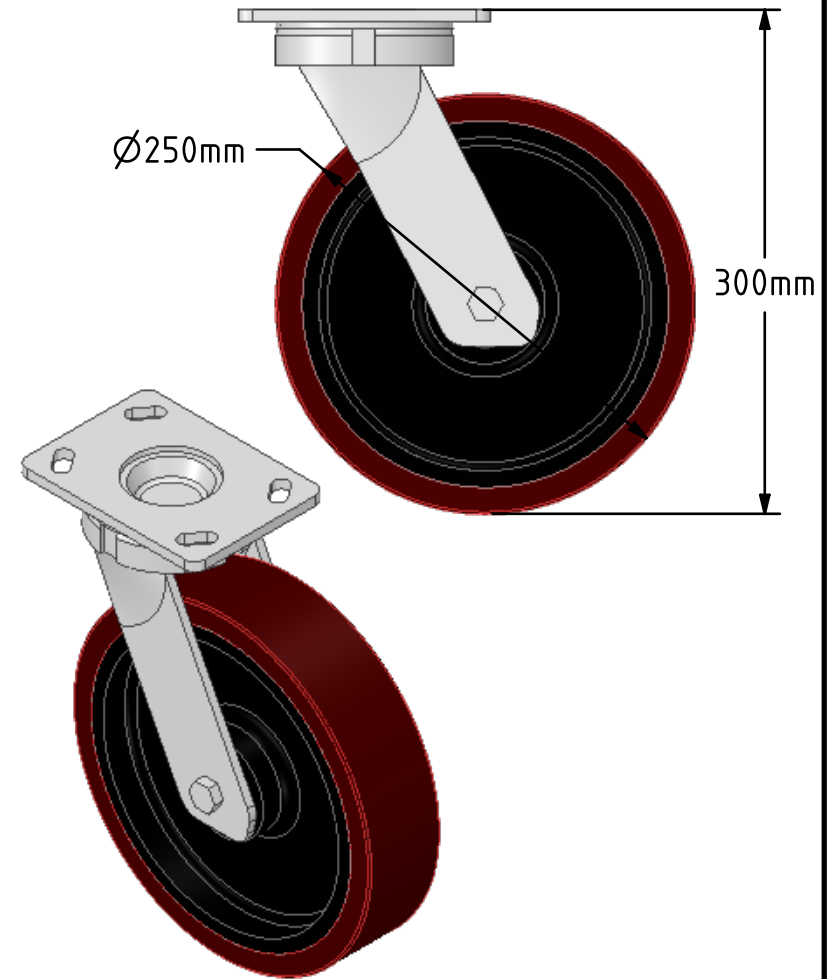
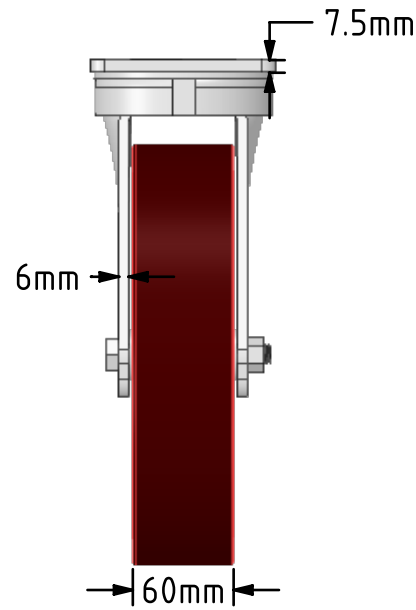
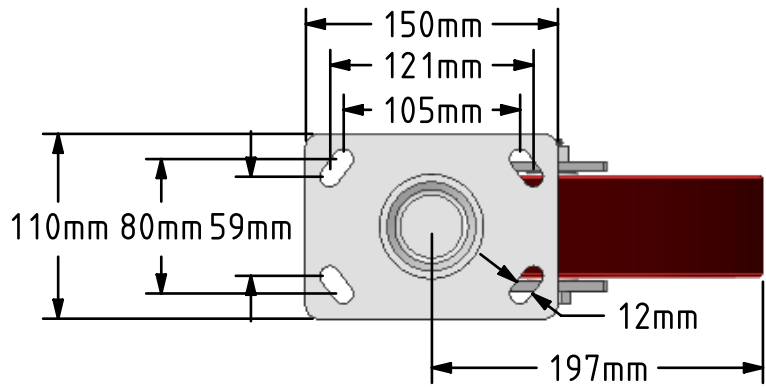
	NAME	DATE
DRAWN	Matt	10/07/18
APPROVED BY	Tim W	10/07/18
SCALE	2.9	10/07/18
WEIGHT	8.621kg	10/07/18

UNLESS OTHERWISE SPECIFIED DIMENSIONS ARE IN MILLIMETRES
Unspecified Tolerances
Machining ± 0.25mm
Fabrication ± 1mm

Sinclair & Rush Ltd.

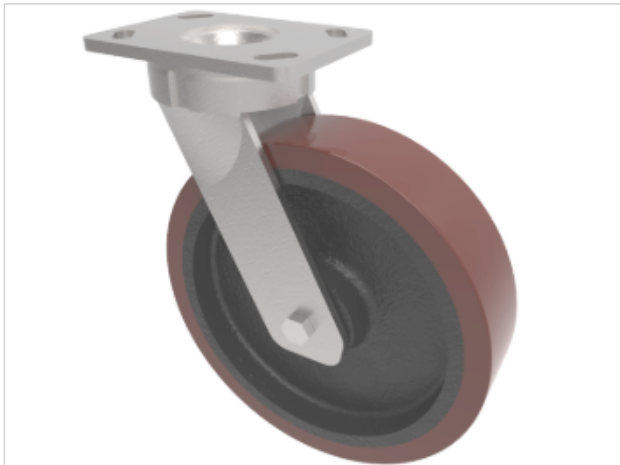
TITLE		REV
HCS07		1
SIZE	DWG NO.	REV
A4	HCS07_01	1
FILE NAME	HCS07_01.PDF	SHEET 1 OF 1

Sinclair & Rush | 01634 686504 |
sales@sinclair-rush.co.uk



Description:
HCS08

Fabricated swivel castor with a top plate fixing fitted with a brown polyurethane wheel on a cast iron centre with ball bearings. Wheel diameter 250mm, tread width 60mm, overall height 300mm, top plate 150mm x 110mm, hole centres 105mm x 80mm or 121mm x 59mm. Load capacity 1400kg.



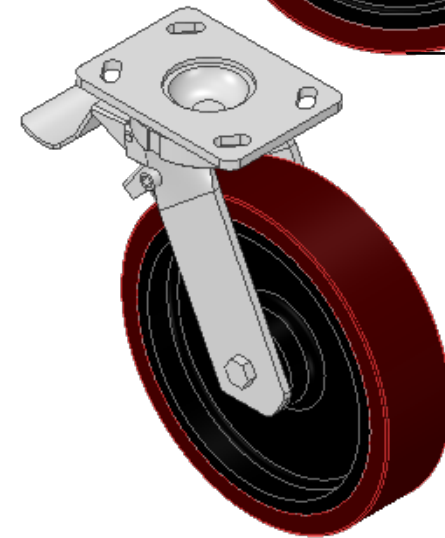
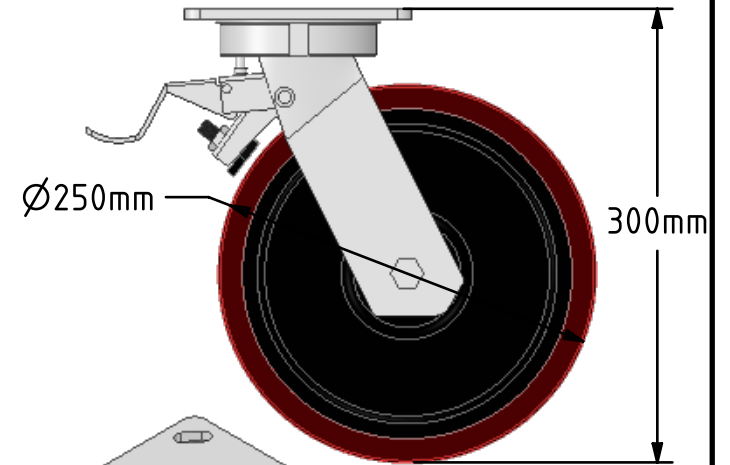
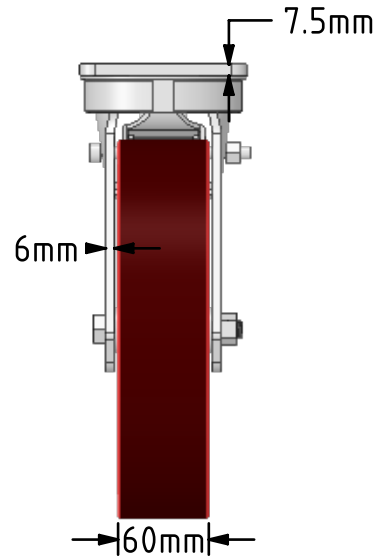
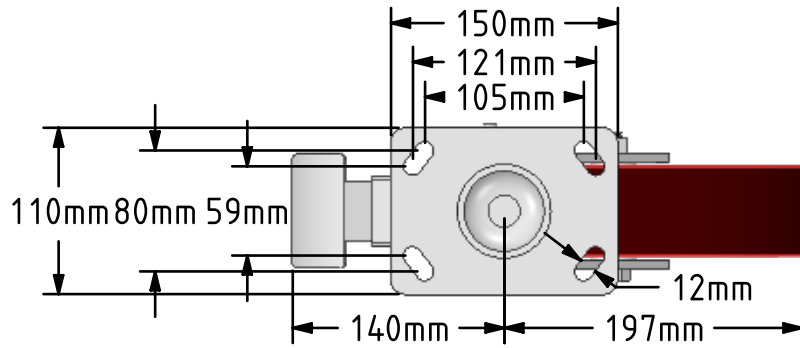
	NAME	DATE
DRAWN	Matt	10/07/18
APPROVED BY	Tim W	10/07/18
SCALE	2:9	10/07/18
WEIGHT	9.977kg	10/07/18

UNLESS OTHERWISE SPECIFIED DIMENSIONS ARE IN MILLIMETRES
Unspecified Tolerances
Machining ± 0.25mm
Fabrication ± 1mm

Sinclair & Rush Ltd.

TITLE		REV
HCS08		1
SIZE	DWG NO.	
A4	HCS08_01	
FILE NAME	HCS08_01.PDF	SHEET 1 OF 1

Sinclair & Rush | 01634 686504 |
sales@sinclair-rush.co.uk



Description:
HCS09

Fabricated swivel castor with a top plate fixing fitted with a brown polyurethane tyred cast iron centred wheel with ball bearings and total lock brake. Wheel diameter 250mm, tread width 60mm, overall height 300mm, plate size 150mm x 110mm, hole centres 105mm x 80mm or 121mm x 59mm. Load capacity 1400kg.



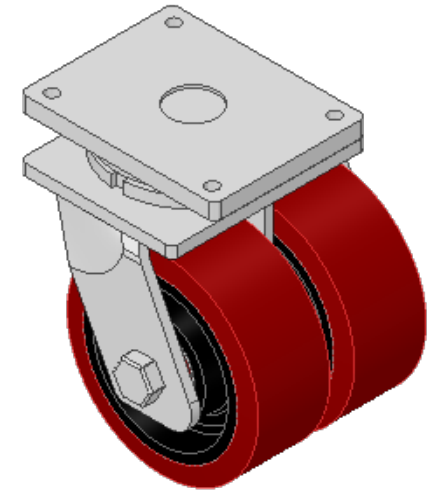
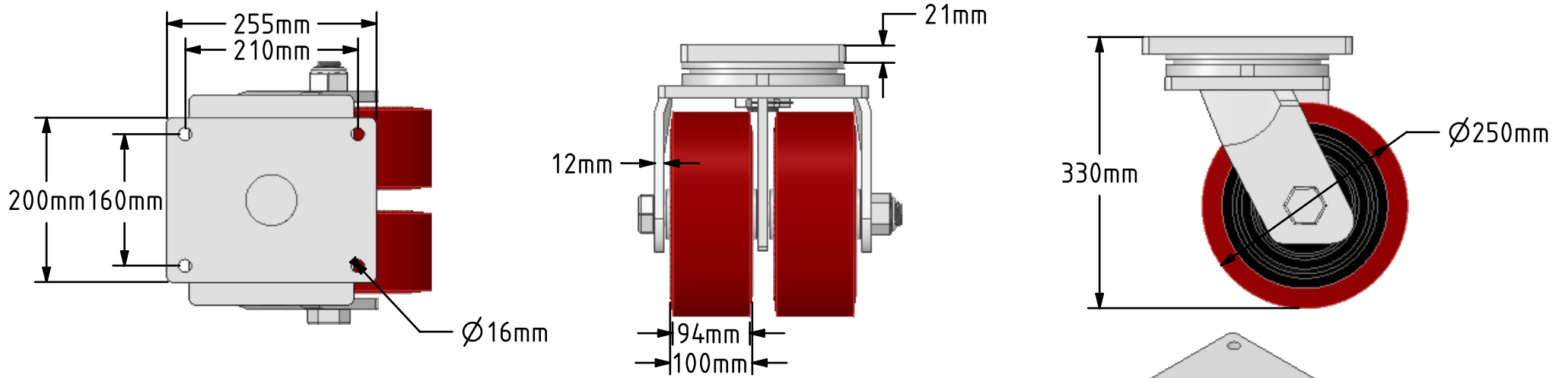
	NAME	DATE
DRAWN	Matt	05/07/18
APPROVED BY	Tim W	05/07/18
SCALE	1:5	05/07/18
WEIGHT	10.574kg	05/07/18

UNLESS OTHERWISE SPECIFIED DIMENSIONS ARE IN MILLIMETRES
Unspecified Tolerances
Machining ± 0.25mm
Fabrication ± 1mm

Sinclair & Rush Ltd.

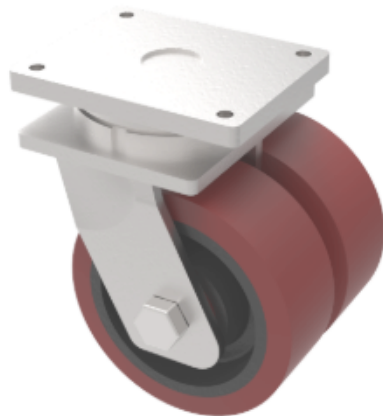
TITLE		REV
HCS09		2
SIZE	DWG NO.	
A4	HCS09_01	
FILE NAME	HCS09_01.PDF	SHEET 1 OF 1

Sinclair & Rush | 01634 686504 |
sales@sinclair-rush.co.uk



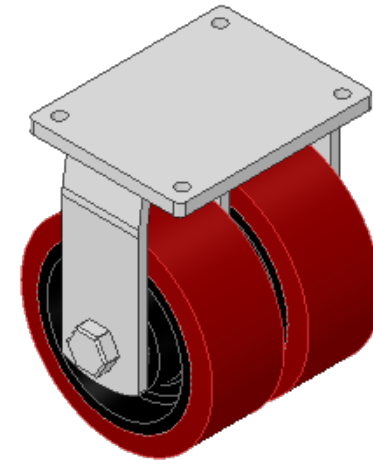
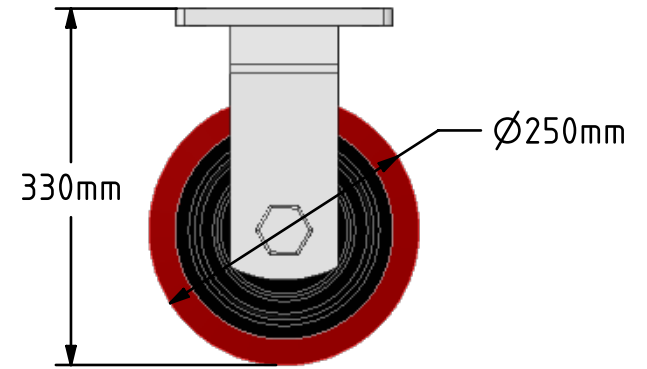
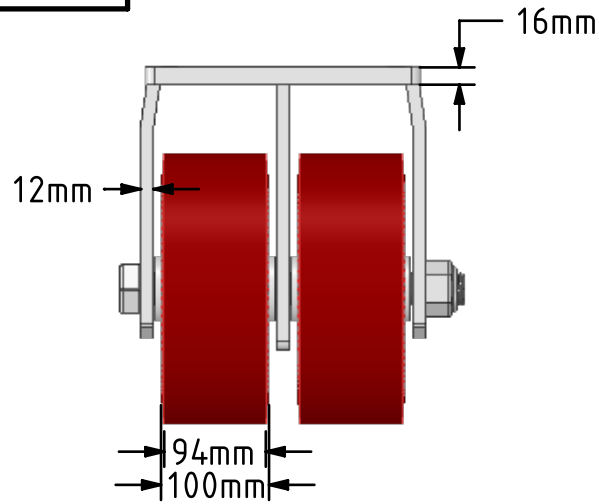
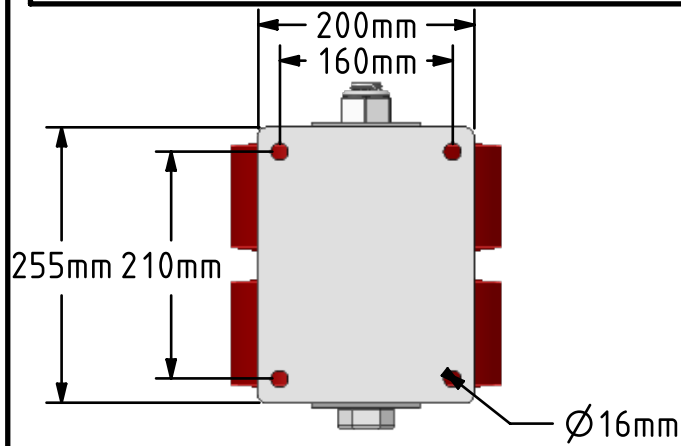
Description:
HCS10

Fabricated twin wheel swivel castor with a top plate fixing fitted with a Brown polyurethane tyre cast iron centred wheels with ball bearings. Wheel diameter 250mm, tread width 2 x 100mm, overall height 330mm, plate size 255 x 200mm, hole centres 210mm x 160mm. Load capacity 5000kg.



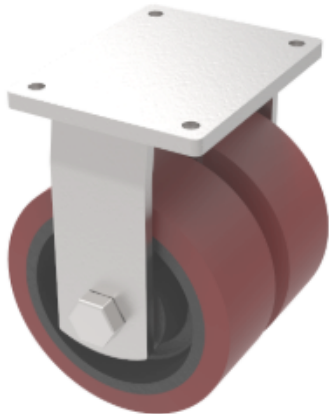
	NAME	DATE	Sinclair & Rush Ltd.		
DRAWN	Matt	09/03/17	TITLE HCS10		
APPROVED BY	Tim W	09/03/17			
SCALE	1:7	09/03/17			
WEIGHT	54.636kg	09/03/17			
UNLESS OTHERWISE SPECIFIED DIMENSIONS ARE IN MILLIMETRES			SIZE	DWG NO.	REV
Unspecified Tolerances Machining ± 0.25mm Fabrication ± 1mm			A4	HCS10_01	1
			FILE NAME	HCS10_01.PDF	SHEET 1 OF 1

Sinclair & Rush | 01634 686504 |
 sales@sinclair-rush.co.uk



Description:
 2BZXXHF250PTBJ

Fabricated twin wheel fixed castor with a top plate fixing fitted with a Brown polyurethane tyred cast iron centred wheel with a ball bearing. Wheel diameter 250mm, tread width 2 x 100mm, overall height 330mm, plate size 255 x 200mm, PLEASE NOTE HOLE CENTRES 160mm in line of travel x 210mm Load capacity 7500kg.



	NAME	DATE
DRAWN	Matt	09/03/17
APPROVED BY	Tim W	09/03/17
SCALE	1:7	09/03/17
WEIGHT	43.122kg	09/03/17

UNLESS OTHERWISE SPECIFIED DIMENSIONS ARE IN MILLIMETRES

Unspecified Tolerances
 Machining ± 0.25mm
 Fabrication ± 1mm

Sinclair & Rush Ltd.

TITLE

HCS11

SIZE DWG NO.

A4

HCS11_01

REV

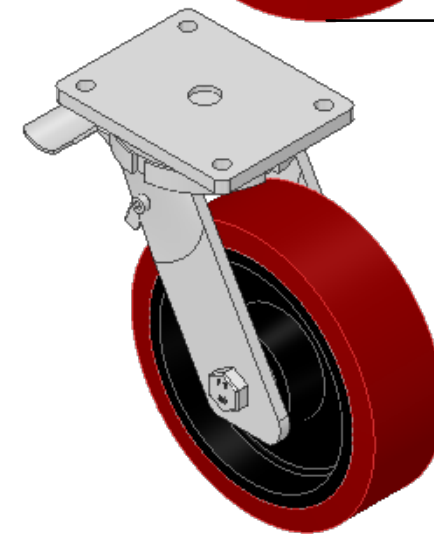
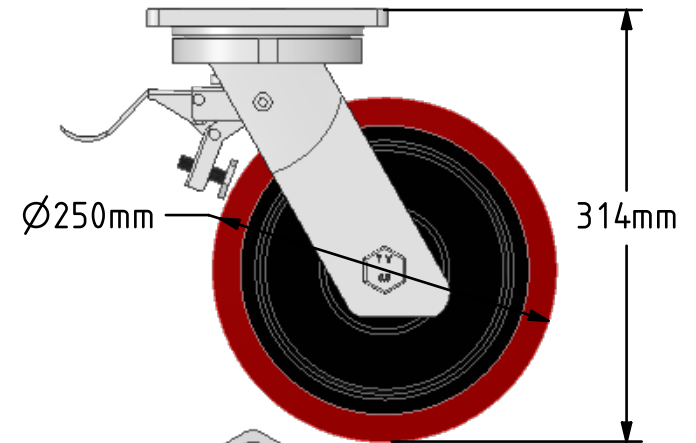
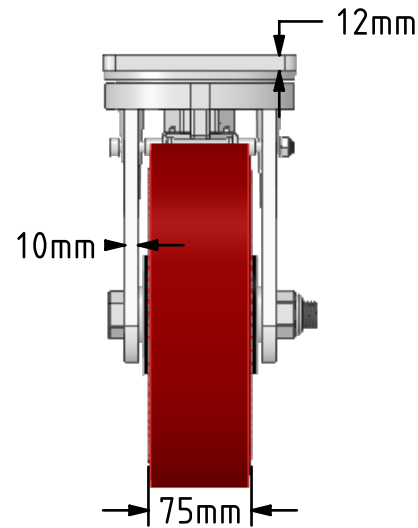
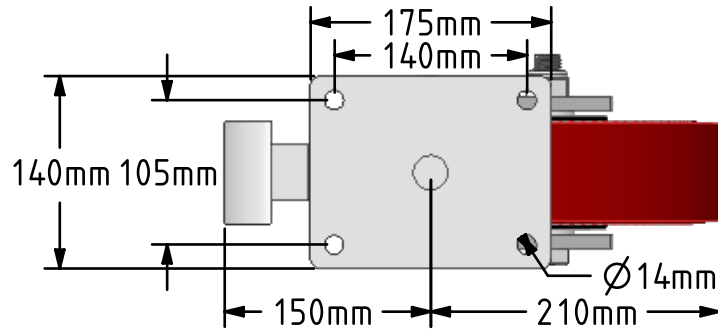
1

FILE NAME

HCS11_01.PDF

SHEET 1 OF 1

Sinclair & Rush | 01634 686504 |
sales@sinclair-rush.co.uk



Description:
HCS25

Fabricated swivel castor with a flat plate fixing fitted with a brown polyurethane tyre on cast iron centred wheel with ball bearings and a total lock brake. Wheel diameter 250mm, tread width 75mm, overall height 314mm, plate size 175mm x 140mm, hole centres 140mm x 105mm. Load capacity 1800kg.



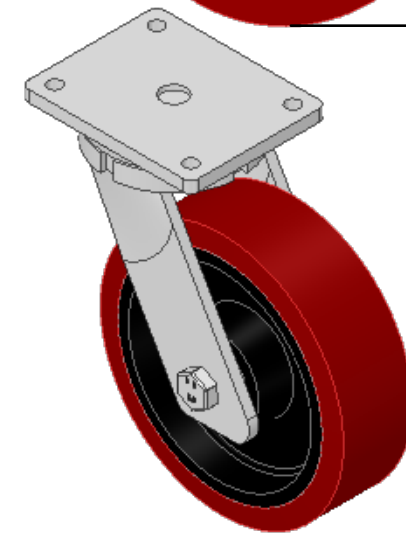
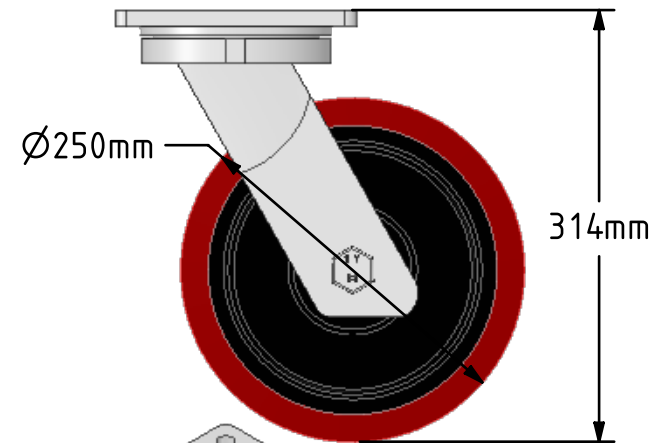
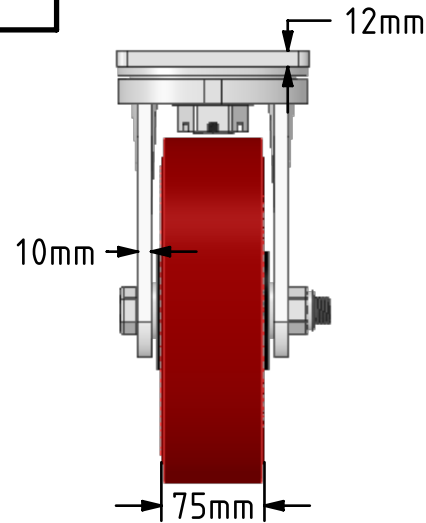
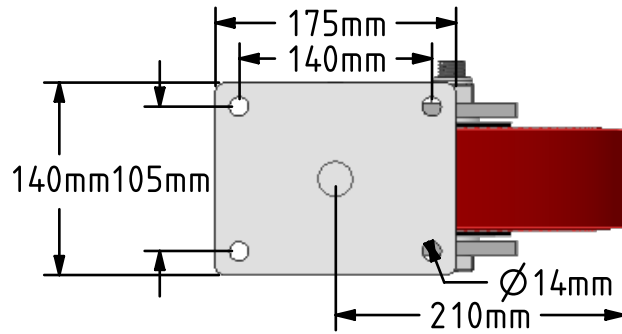
	NAME	DATE
DRAWN	Matt	23/02/18
APPROVED BY	Chris	23/02/18
SCALE	2:11	23/02/18
WEIGHT	18.027kg	23/02/18

UNLESS OTHERWISE SPECIFIED DIMENSIONS ARE IN MILLIMETRES
Unspecified Tolerances
Machining ± 0.25mm
Fabrication ± 1mm

Sinclair & Rush Ltd.

TITLE		REV
HCS25		1
SIZE	DWG NO.	
A4	HCS25_01	
FILE NAME	HCS25_01.PDF	SHEET 1 OF 1

Sinclair & Rush | 01634 686504 |
sales@sinclair-rush.co.uk



Description:
HCS27

Fabricated swivel castor with a flat plate fixing fitted with a brown polyurethane tyre on cast iron centred wheel with a ball bearing. Wheel diameter 250mm, tread width 75mm, overall height 314mm, plate size 175mm x 140mm, hole centres 140mm x 105mm. Load capacity 1800kg.



	NAME	DATE
DRAWN	Matt	23/02/18
APPROVED BY	Chris	23/02/18
SCALE	2:11	23/02/18
WEIGHT	17.463kg	23/02/18

UNLESS OTHERWISE SPECIFIED DIMENSIONS ARE IN MILLIMETRES
Unspecified Tolerances
Machining ± 0.25mm
Fabrication ± 1mm

Sinclair & Rush Ltd.

TITLE
HCS27

SIZE	DWG NO.	REV
A4	HCS27_01	1

FILE NAME HCS27_01 SHEET 1 OF 1