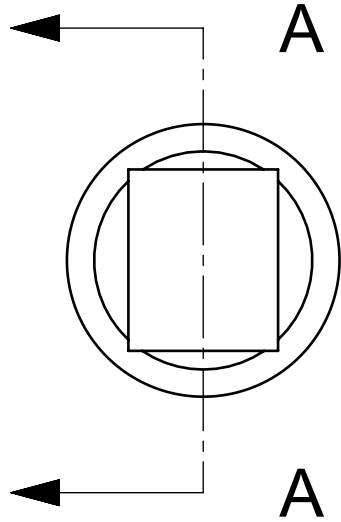
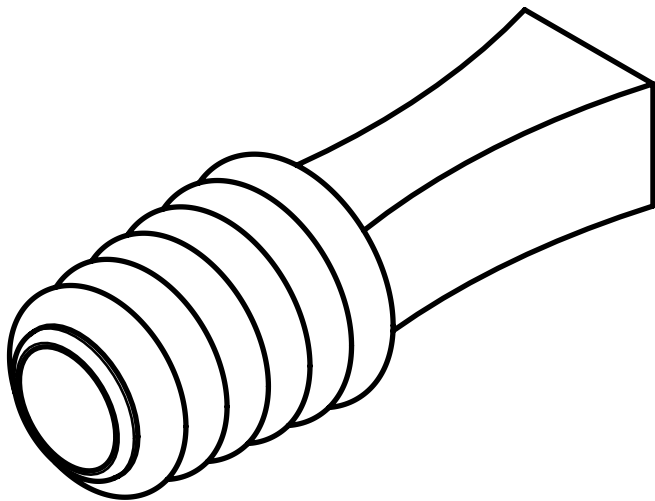
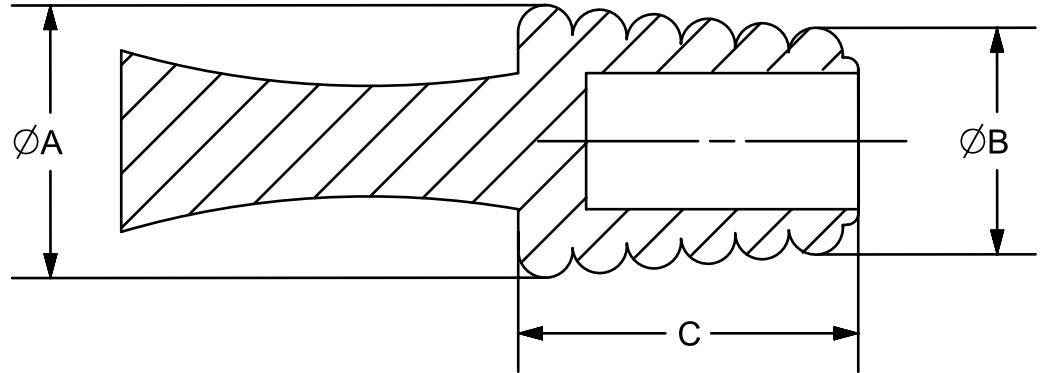




REV	DESCRIPTION	DATE	BY	APP



SECTION A-A



	<h2>Sinclair & Rush</h2> <p>Global Manufacturer of Plastic, Rubber & Foam Components</p>		SINCLAIR AND RUSH LTD. 19 LAKER ROAD, ROCHESTER KENT, ME1 3QX UK WWW.SINCLAIR-RUSH.CO.UK	
	THIS DRAWING CONTAINS CONFIDENTIAL INFORMATION OF SINCLAIR AND RUSH LTD. AND IS NOT TO BE COPIED, USED OR, DISCLOSED TO OTHERS WITHOUT THE EXPRESS WRITTEN CONSENT OF SINCLAIR AND RUSH LTD.			
ALL DIMENSIONS AND SYMBOLS CONFORM TO ANSI Y14,5 	DRW	BPF	DATE	14-SEP-18
	CK	MLA	DATE	24-OCT-18
	APP	MLA	DATE	24-OCT-18
SCALE N/A				
DESCRIPTION SILICONE FLANGELESS PLUGS				
SIZE	A	SHEET	1 OF 1	PART / DRAWING NUMBER CATALOG SILICONE FLANGELESS PLUGS
				REV 0